

Sierra Vista
 4711 S Highway 92
 1-800-559-9291 Phone
 520-458-9293 Fax



COMMERCIAL POOL CARE DIVISION

Northwest
 6320 N Oracle Rd
 520-797-2299 Phone
 520-797-9293 Fax

Central
 2512 N Campbell Ave
 520-795-8240 Phone
 520-327-1142 Fax

Main Office/Eastside
 7960 E 22nd St
 520-886-1211 Phone
 520-886-6364 Fax

Northeast
 9155 E Tanque Verde Rd
 520-749-9155 Phone
 520-760-0035 Fax

PATIO'S NUMBER	ITEM KEY	MYTILUS CARTRIDGE FILTERS		MANUFACTURER NUMBER
		FMY 80, 100, & 150		
13-0203	1	PRESSURE GAUGE - BACK MOUNT		PG6024B
13-0479	2	AIR BLEEDER TEE ASSEMBLY		15-4689
SP1-7643	3	BAND ASSEMBLY COMPLETE		17-4954
13-0326	4	ADAPTER - BRASS AIR BLEEDER		15-4700
26-0025	5	ADAPTER - O-RING		15-4651
SP1-7563	6	TANK TOP WITH FLANGE		17-5054
13-0476	7	NUT - 3/8"X16 SS		15-4664
	8	BAND		17-4998
26-1099	9	TANK O-RING		17-4704
24-0390	10	WASHER - 3/8" SS		27-3061
SP3-3912	11	PIPING ASSEMBLY - CENTER FMY 80/100		17-4939
		PIPING ASSEMBLY - CENTER FMY 150		17-4956
13-7699	12	100 SQ. FT. CARTRIDGE		17-4985
13-1023		80 SQ. FT. CARTRIDGE		17-4984
13-1020		50 SQ. FT. CARTRIDGE		17-4981
13-0424	13	CARTRIDGE ADAPTER		17-4932
13-0334	14	WASHER - POLYETHYLENE		19-5004
13-0338	15	CAP & STRAINER ASSEMBLY		27-4411
SPS-4064	16	TANK & FLANGE ASSY. FMY80 / 100		17-5285
		TANK & FLANGE ASSY. FMY150		17-5287
26-0179	17	BULKHEAD O-RING 2"		15-4492
SP3-5391	18	PIPING ASSEMBLY - LOWER		17-4787
13-0500	20	BOLT 5/16" - 18X4"		15-2060
	21	WASHER - 5/16" SS		63-9822
13-0422	22	KNOB - BAND ASSEMBLY		17-4882
13-0356	23	LOCKNUT - 2" INTERNAL		15-4412
13-0331	24	SPACER - 2" INTERNAL		17-4757
13-0421	25	DIFUSER ASSEMBLY - BULKHEAD		17-4937
30-0098	26	GASKET - BULKHEAD DIFUSER ASSEMBLY		15-4538
SP1-5754	27	SPACER - 2" EXTERNAL		17-4756
	28	PLUG - 3/4" NPT DRAIN		15-4635
	29	FOOT		17-2850
26-0083	30	O-RING - BULKHEAD ADAPTER		27-4494
13-0348	31	ADAPTER 1 1/2"X2" SLIP COMB VALVE		27-4404
SP3-5603		ADAPTER 2" NPT		27-4557
13-0347	32	NUT - BULKHEAD ADAPTER		27-4407
	33	RETAINING RING - CARRIAGE BOLT		17-5020

Sierra Vista
4711 S Highway 92
1-800-559-9291 Phone
520-458-9293 Fax



COMMERCIAL POOL CARE DIVISION

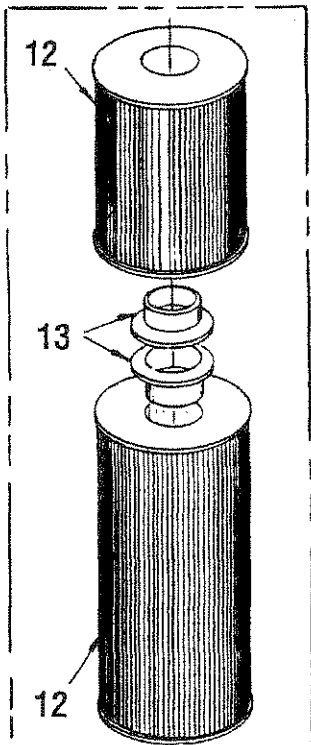
Northwest
6320 N Oracle Rd
520-797-2299 Phone
520-797-9293 Fax

Central
2512 N Campbell Ave
520-795-8240 Phone
520-327-1142 Fax

Main Office/Eastside
7960 E 22nd St
520-886-1211 Phone
520-886-6364 Fax

Northeast
9155 E Tanque Verde Rd
520-749-9155 Phone
520-760-0035 Fax

MYTILUS CARTRIDGE FILTER
FMY 80, 100, & 150



FMY 150 Filters Built
After Sept. 87 Will Use
One 17-4981 Cartridge
And One 17-4985
Cartridge.

