

Sierra Vista  
 4711 S Highway 92  
 1-800-559-9291 Phone  
 520-458-9293 Fax



Northwest  
 6320 N Oracle Rd  
 520-797-2299 Phone  
 520-797-9293 Fax

COMMERCIAL POOL CARE DIVISION

Central  
 2512 N Campbell Ave  
 520-795-8240 Phone  
 520-327-1142 Fax

Main Office/Eastside  
 7960 E 22nd St  
 520-886-1211 Phone  
 520-886-6364 Fax

Northeast  
 9155 E Tanque Verde Rd  
 520-749-9155 Phone  
 520-760-0035 Fax

PATIO'S NUMBER	ITEM KEY	RAINBOW AUTOMATIC CHLORINATORS MODELS 300, 302, 300-19, & 300-29	MANUFACTURER NUMBER
28-0024		300 Chlorinator (Complete Unit)	R171016
28-0025		300-29 Chlorinator (Complete Unit)	R171066
28-0027	1	3" Threaded Cap	R172008
26-0283	2	Cap O-Ring (O-283)	R172009
28-0028	3	Anti- Corrosive Check Valve (Optional)	R172020
28-0029	4	Tube to Tube Chlorine Control Valve	R172022
28-0053	5	1/4" I.D x 3/8" O.D. x 8' Tubing	R172023
28-0009	6	Male Tube Fitting 1/4" NPT	R172029
	8	Female Tube Fitting 1/4" NPT	OBSOLETE
28-0030	9	Tube Fitting w/Nut	R172032
28-0031	10	Tube Fitting Gasket	R172033
28-0032	11	Saddle Clamp	R172034
	12	Body Assembly (300)	OBSOLETE
	12a	Body Assembly (300-19)	OBSOLETE
	12b	Body Assembly (300-29)	OBSOLETE
28-0034	13	90 Degree Tube Fitting - Female 3/4" NPT	R172038
28-0023	14	Spa Chamber (302 Chlorinator Only)	R172037
28-0040	17	Lid Wrench	R172052
28-0035	18	Chlorine Control Valve, 1/4"	R172037
14-0002	19	Silicone Lubricant (Different from that Shown)	
28-0036	20	Combination Check/Elbow	R172061
28-2007	21	Flow Indicator w/Valve	R172080
28-2000	23	1-1/2" & 2" Anti-Corrosive Check Valve	R172288
28-2004	24	1/4" In-Line Check Valve	R172323
28-0038	25	Compression Nut Only	R018706

Sierra Vista  
4711 S Highway 92  
1-800-559-9291 Phone  
520-458-9293 Fax



COMMERCIAL POOL CARE DIVISION

Northwest  
6320 N Oracle Rd  
520-797-2299 Phone  
520-797-9293 Fax

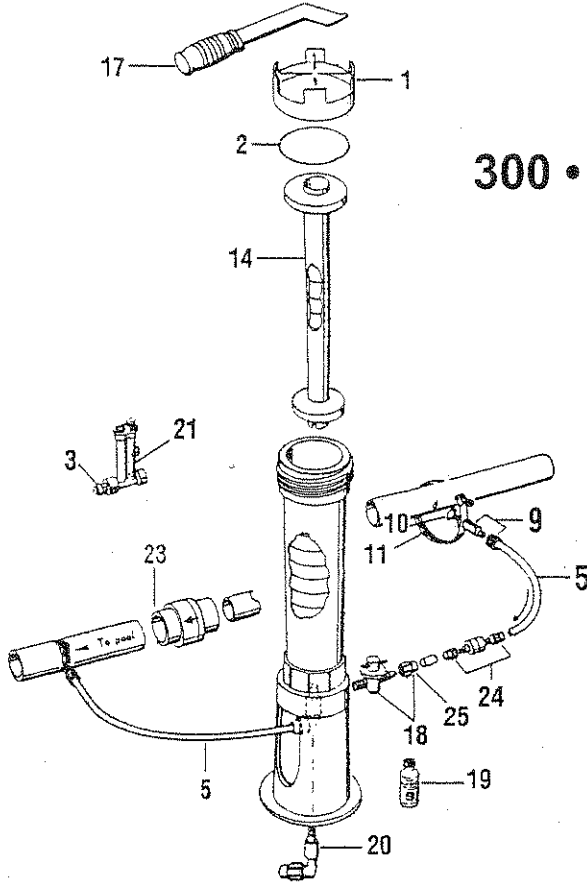
Central  
2512 N Campbell Ave  
520-795-8240 Phone  
520-327-1142 Fax

Main Office/Eastside  
7960 E 22nd St  
520-886-1211 Phone  
520-886-6364 Fax

Northeast  
9155 E Tanque Verde Rd  
520-749-9155 Phone  
520-760-0035 Fax

RAINBOW AUTOMATIC CHLORINATORS  
MODELS 300, 302, 300-19, & 300-29

NEW STYLE  
300 • 302 • 300-19 • 300-29



OLD STYLE  
300 • 302 • 300-19 • 300-29

