

Sierra Vista
 4711 S Highway 92
 1-800-559-9291 Phone
 520-458-9293 Fax



Northwest
 6320 N Oracle Rd
 520-797-2299 Phone
 520-797-9293 Fax

COMMERCIAL POOL CARE DIVISION

Central
 2512 N Campbell Ave
 520-795-8240 Phone
 520-327-1142 Fax

Main Office/Eastside
 7960 E 22nd St
 520-886-1211 Phone
 520-886-6364 Fax

Northeast
 9155 E Tanque Verde Rd
 520-749-9155 Phone
 520-760-0035 Fax

PATIO'S NUMBER	ITEM KEY	LAARS LITE HEATERS (MFG. 1997 - PRESENT)	MANUFACTURER NUMBER
<u>PILOT GAS SYSTEM - LLG</u>			
SP1-5818 012-0967	1	Pilot, Main Burner Assembly - LPG	R0099200
		Pilot, Main Burner Assembly - NAT	R0099100
	2	Pilot Burner - NAT	R0096700
		Pilot Burner - LPG	R0096600
012-0325	2A	Pilot Shield	R0323300
	3	Pilot Generator	W0036901
012-0595	4	Ceramic Insulator Assembly	R0011600
TSC-0128	5	Burner, Main w /Pilot Bracket	10457500
012-0597	6	High Voltage Lead Assembly	R0099000
	7	Pilot Tubing	R0037000
012-3172	8	Piezo Lighter Assembly	R0096800
	9	Piezo Lighter Knob	OBSOLETE
	10	Ignition - LLD	R0317200
<u>MAIN GAS ASSEMBLY</u>			
012-0179	11	Burner Tray Assembly, NAT, 125,000 BTU	R0098601
		Burner Tray Assembly, NAT, 175,000 BTU	R0098602
		Burner Tray Assembly, NAT, 250,000 BTU	R0098603
		Burner Tray Assembly, NAT, 325,000 BTU	R0098604
		Burner Tray Assembly, NAT, 400,000 BTU	R0098605
		Burner Tray Assembly, LPG, 125,000 BTU	R0098701
		Burner Tray Assembly, LPG, 175,000 BTU	R0098702
		Burner Tray Assembly, LPG, 250,000 BTU	R0098703
		Burner Tray Assembly, LPG, 325,000 BTU	R0098704
		Burner Tray Assembly, LPG, 400,000 BTU	R0098705
		Burner Tray Assembly, NAT-LLD, (125-400)	R0316901
		Burner Tray Assembly, NAT-LLD, (125-400)	R0316902
		Burner Tray Assembly, NAT-LLD, 250,000 BTU	R0316903
		Burner Tray Assembly, NAT-LLD, 325,000 BTU	R0316904
		Burner Tray Assembly, NAT-LLD, 400,000 BTU	R0316905
		Burner Tray Assembly, LPG-LLD, (125-400)	R0319501
		Burner Tray Assembly, LPG-LLD, (125-400)	R0319502
Burner Tray Assembly, LPG-LLD, 250,000 BTU	R0319503		
Burner Tray Assembly, LPG-LLD, (125-400)	R0319504		
Burner Tray Assembly, LPG-LLD, 400,000 BTU	R0319505		
SP1-5930	12	Burner Tray Shelf Only, 125,000 BTU	R0317001
		Burner Tray Shelf Only, 175,000 BTU	R0317002
		Burner Tray Shelf Only, 250,000 BTU	R0317003
		Burner Tray Shelf Only, 325,000 BTU	R0317004
SP1-8118	13	Burner Tray Shelf Only, 400,000 BTU	R0317005
012-3171		Gas Valve, Nat-LLG	R0096400
012-3196		Gas Valve, LPG-LLG	R0096900
012-3171		Gas Valve, NAT-LLD	R0317100
012-3196		Gas Valve, LPG-LLD	R0319600
012-0542	13A	Gas Orifice, NAT	L0032200

Sierra Vista
4711 S Highway 92
1-800-559-9291 Phone
520-458-9293 Fax



COMMERCIAL POOL CARE DIVISION

Northwest
6320 N Oracle Rd
520-797-2299 Phone
520-797-9293 Fax

Central
2512 N Campbell Ave
520-795-8240 Phone
520-327-1142 Fax

Main Office/Eastside
7960 E 22nd St
520-886-1211 Phone
520-886-6364 Fax

Northeast
9155 E Tanque Verde Rd
520-749-9155 Phone
520-760-0035 Fax

PATIO'S NUMBER	ITEM KEY	LAARS LITE HEATERS (MFG. 1997 - PRESENT)	MANUFACTURER NUMBER
<u>MAIN GAS ASSEMBLY - CONTINUED</u>			
SP3-3422		Gas Orifice, LPG	L0032900
	14	Anti-Rotation Bracket	10577200
012-0967	15	Mounting Bracket Assembly	10419200
100-0087	16	Burner, Main	L0052300
	17	Gas Manifold, 125	L0052200
		Gas Manifold, 175	L0006300
		Gas Manifold, 250	L0006400
		Gas Manifold, 325	L0006500
		Gas Manifold, 400	L0006600
* For Altitudes Above 2,000 Feet, Consult the Factory.			
<u>ELECTRICAL SYSTEM</u>			
012-0541	18	Temperature Control Assembly - LLG (Dual)	R0058200
012-0104	19	Wire Harness	R005800
	20	Plate Assembly	10456300
	21	"On /Off" Switch	R0099800
	22	Temperature Control Label	H0201100
012-0517	23	Temperature Control Assembly - LLD (Dual)	R0011700
	24	Wire Harness Assembly	10457800
	25	Plate Assembly	10594600
	26	Knob, Single Bar (R582 & R117)	H0201100
012-0406	27	Temperature Sensor (R582 & R117)	R0011800
	28	Protector Sleeve, Bulb (R582 & R117)	R0099900
	29	Gasket, Temp Sensor Bulb	E0116400
012-0516	30	Thermostat Knob, Black (R582 & R117)	R0010700
	31	"Temp-Lok" Stop Plate (R582 & R117)	10583100
	32	Temperature Control Gasket (R582 & R117)	S0070000
	33	Bezel (R582 & R117)	S0069800
	34	Stop Plate Screw (R582 & R117)	F0033300
012-0403	35	Retainer Bracket (R582 & R117)	10447300
	36	Retainer Bracket Screw (R582 & R117)	F0009100
	37	Pressure Switch & Siphon Loop Assembly	R0097600
012-0128	38	Pressure Switch, 2 PSI	R0013200
012-0127		Pressure Switch, 1 - 10 PSI	R0015500
012-0598	39	Siphon Loop Assembly	R0057800
	40	Redundant High-Limit - LLG	R0313900
012-1232	41	High-Limit Switch Assembly	R0023200
012-0135	42	High-Limit Switch, 135 F	R0022700
012-0137	43	High-Limit Switch, 150 F	R002300
	44	High-Limit Switch Retainer Clip	10418400
	45	High-Limit Switch Retainer Boot	S0098900
	46	High-Limit Switch Cover	10418300
SP1-6244	47	High-Limit Switch Wire Harness	10419300
012-0509	48	Fuseable Link Assembly	R0012200
	49	Fuseable Link Bracket	10479900

Sierra Vista
4711 S Highway 92
1-800-559-9291 Phone
520-458-9293 Fax



Northwest
6320 N Oracle Rd
520-797-2299 Phone
520-797-9293 Fax

COMMERCIAL POOL CARE DIVISION

Central
2512 N Campbell Ave
520-795-8240 Phone
520-327-1142 Fax

Main Office/Eastside
7960 E 22nd St
520-886-1211 Phone
520-886-6364 Fax

Northeast
9155 E Tanque Verde Rd
520-749-9155 Phone
520-760-0035 Fax

PATIO'S NUMBER	ITEM KEY	LAARS LITE HEATERS (MFG. 1997 - PRESENT)	MANUFACTURER NUMBER
<u>ELECTRICAL SYSTEM CONTINUED</u>			
	50	Terminal Block	R0097800
012-3175	51	Ignition Control Assembly - LLD	R0317500
012-3252	52	Ignition Control - LLD	R0325200
012-0111	53	Harness Assembly	R0059800
012-0510	54	Transformer (115V - 220V / 24V)	R0061100
	55	Ignition Control Panel	10451200
	56	In-Line Fuse Assembly	10480000
<u>VENT SYSTEM</u>			
	57	Top Enclosure (125-400)	R0313201
		Top Enclosure (125-400)	R0313202
		Top Enclosure, 250,000 BTU	R0313203
		Top Enclosure (125-400)	R0313204
		Top Enclosure, 400,000 BTU	R0313205
	58	Top Filler (125-400)	10535201-05
	59	Rainshield Kit (125-400)	R0318301-05
	62	Flue Connector Assembly (125-400)	R0316401-05
012-0040	63	Outdoor Vent Cap 5" (125 BTU)	10561501
012-0041		Outdoor Vent Cap 6" (175 BTU)	10561502
012-0042		Outdoor Vent Cap 7" (250 BTU)	10561503
012-0043		Outdoor Vent Cap 8" (325 BTU)	10561504
012-0044		Outdoor Vent Cap 9" (400 BTU)	10561505
012-0035	64	Indoor Draft Hood, 125,000 BTU	10561401
012-0036		Indoor Draft Hood, 175,000 BTU	10561402
012-0037		Indoor Draft Hood, 250,000 BTU	10561403
012-0038		Indoor Draft Hood, 325,000 BTU	10561404
012-0039		Indoor Draft Hood, 400,000 BTU	10561405
012-0220	65	Flue Transition Plate, 125,000 BTU	10861901
012-0221		Flue Transition Plate, 175,000 BTU	10861902
012-0222		Flue Transition Plate, 250,000 BTU	10861903
		Flue Transition Plate, 325,000 BTU	10861904
012-0224		Flue Transition Plate, 400,000 BTU	10861905
	66	Adapter Plate, 125,000 BTU	10535301
		Adapter Plate, 175,000 BTU	10535302
		Adapter Plate, 250,000 BTU	10535303
		Adapter Plate, 325,000 BTU	10535304
		Adapter Plate, 400,000 BTU	10535305
012-0518	67	Clip	10211000
<u>WATER SYSTEM</u>			
012-0202	68	Inlet /Outlet Header, 2"	R0056400
SSC-0188		Inlet /Outlet Header, Bronze, 2"	R0016800
012-0209	69	Return Header	R0058300
012-0201		Return Header, Bronze	R0054600
012-0210	70	Header Bolt Assembly	R0057000
012-0526	71	Bolt for Headers	F0046100
	72	Washer for Headers	F0033100

Sierra Vista
 4711 S Highway 92
 1-800-559-9291 Phone
 520-458-9293 Fax



COMMERCIAL POOL CARE DIVISION

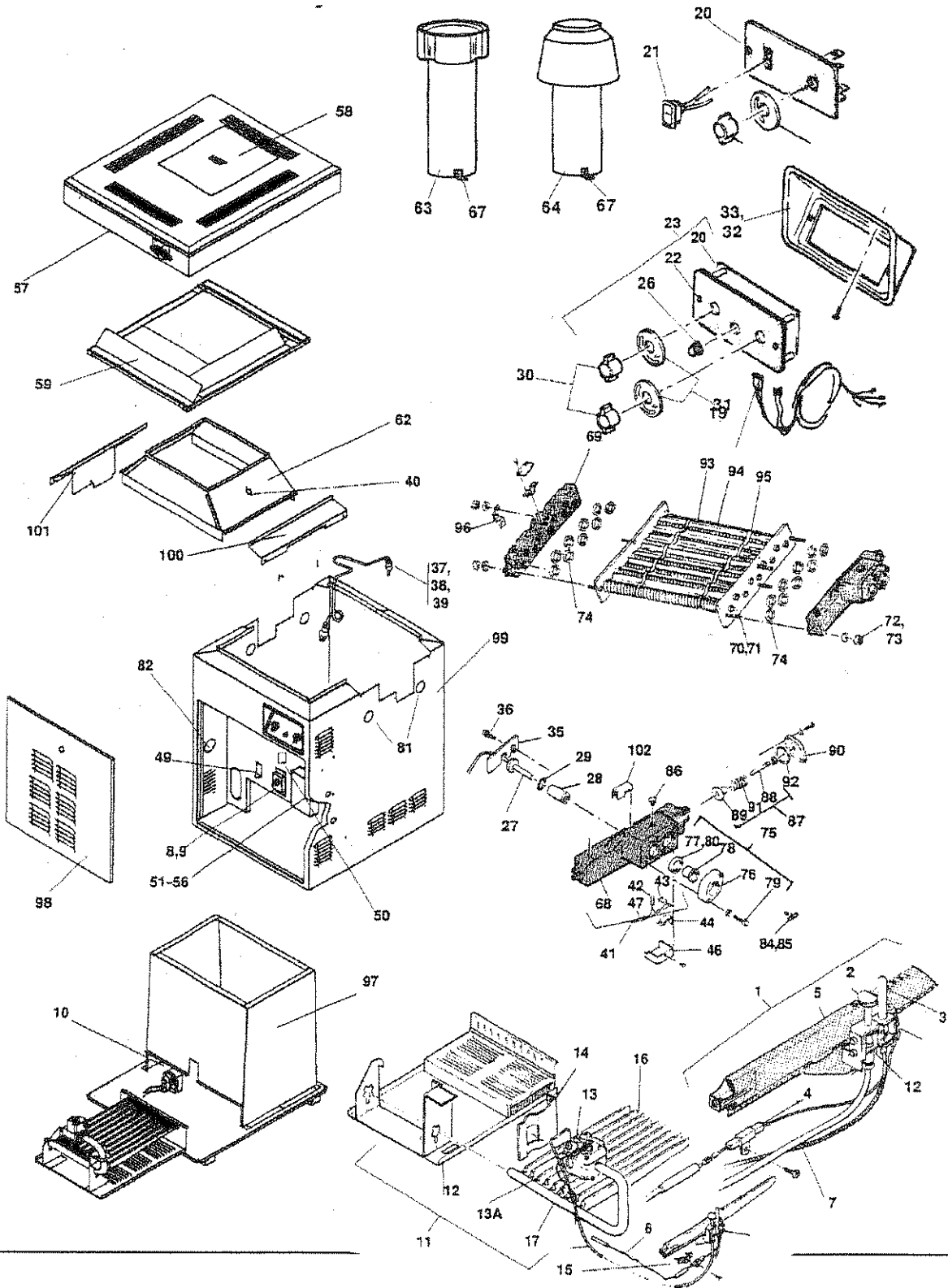
Northwest
 6320 N Oracle Rd
 520-797-2299 Phone
 520-797-9293 Fax

Central
 2512 N Campbell Ave
 520-795-8240 Phone
 520-327-1142 Fax

Main Office/Eastside
 7960 E 22nd St
 520-886-1211 Phone
 520-886-6364 Fax

Northeast
 9155 E Tanque Verde Rd
 520-749-9155 Phone
 520-760-0035 Fax

LAARS LITE HEATERS
 (MFG. 1997 - PRESENT)



Sierra Vista
4711 S Highway 92
1-800-559-9291 Phone
520-458-9293 Fax



Northwest
6320 N Oracle Rd
520-797-2299 Phone
520-797-9293 Fax

COMMERCIAL POOL CARE DIVISION

Central
2512 N Campbell Ave
520-795-8240 Phone
520-327-1142 Fax

Main Office/Eastside
7960 E 22nd St
520-886-1211 Phone
520-886-6364 Fax

Northeast
9155 E Tanque Verde Rd
520-749-9155 Phone
520-760-0035 Fax

PATIO'S NUMBER	ITEM KEY	LAARS LITE HEATERS (MFG. 1997 - PRESENT)	MANUFACTURER NUMBER
012-0528	73	Nut for Headers	F0003100
012-0513	74	Gasket for Headers Assembly (Set of 18)	R0050800
SP5-1537	75	Flange /Gasket Assmby (Set of 2)	R0055000
012-0599	76	Flange, 2"	10573500
012-0579	77	Flange Gasket, 2"	S0078000
012-0501	78	Flange Sleeve, 2"	S0078200
SP1-7362	79	Flange Bolt	F0031700
	80	Flange Gasket, 1-1/2"-2"	S0078100
	81	Grommet for Drain Plug	R0316300
	82	Grommet , Slitted	S0071100
	83	Hole Plug	S0098700
	84	Drain Plug	P0026800
	85	Drain Plug Bushing	P0018500
	86	Brass Plug, 3/4"	P0027000
SP1-7709	87	By-Pass Assembly	R0054900
012-0298	88	By-Pass Valve Rod	S0074300
012-0297	89	By-Pass Valve Disc	R0011500
	90	By-Pass Valve Control Cap	10452200
	91	By-Pass Valve Spring, Purple (125)	S0079900
012-0351		By-Pass Valve Spring, White (175)	S0061400
012-0352		By-Pass Valve Spring, Red (250)	S0061300
012-0353		By-Pass Valve Spring, Blue (325)	S0061200
012-0356		By-Pass Valve Spring, Black (400)	S0070100
012-0586	92	By-Pass Valve Gasket	R0011400
012-0152	93	Heat Exchanger Tube Assembly (125,000 BTU)	R0018101
012-0153		Heat Exchanger Tube Assembly (175,000 BTU)	R0018102
012-0154		Heat Exchanger Tube Assembly (250,000 BTU)	R0018103
012-0155		Heat Exchanger Tube Assembly (325,000 BTU)	R00018104
012-0157		Heat Exchanger Tube Assembly (400,000 BTU)	R0018105
	94	Heat Exchanger Baffle (175 BTU)(8 Req.)	10697402
SP1-4270		Heat Exchanger Baffle (250 BTU)(8 Req.)	10697403
SP6-2109		Heat Exchanger Baffle (325 BTU)(8 Req.)	10697404
		Heat Exchanger Baffle (400 BTU)(8 Req.)	10697405
012-0507	95	Baffle Retainer	S0083900
	96	Heat Exchanger Support Clip	10457000
		<u>FIREBOX COMPONENTS</u>	
	97	Complete Chamber Assembly	R0316701-05
		<u>JACKET COMPONENTS</u>	
	98	Door w /Latch (125 - 400)	R0313401-05
	99	Jacket Assembly, Less Top, (125 - 400)	R0316501-05
	100	Gap Closure, Inlet/Outlet	10448200
	101	Gap Closure, Return	10448300
	102	Insulation and Retainer	10462200

Sierra Vista
 4711 S Highway 92
 1-800-559-9291 Phone
 520-458-9293 Fax



COMMERCIAL POOL CARE DIVISION

Northwest
 6320 N Oracle Rd
 520-797-2299 Phone
 520-797-9293 Fax

Central
 2512 N Campbell Ave
 520-795-8240 Phone
 520-327-1142 Fax

Main Office/Eastside
 7960 E 22nd St
 520-886-1211 Phone
 520-886-6364 Fax

Northeast
 9155 E Tanque Verde Rd
 520-749-9155 Phone
 520-760-0035 Fax

PATIO'S NUMBER	ITEM KEY	LAARS LITE HEATERS ((MFG. 1997 - PRESENT)) <u>OPTIONAL COMPONENTS</u>	MANUFACTURER NUMBER
012-0288		Non Combustable Base (125 - 400) Pressure Relief Valve 3/4" NPT, 75 PSI	105217-01 R0040400