

Sierra Vista
 4711 S Highway 92
 1-800-559-9291 Phone
 520-458-9293 Fax



COMMERCIAL POOL CARE DIVISION

Northwest
 6320 N Oracle Rd
 520-797-2299 Phone
 520-797-9293 Fax

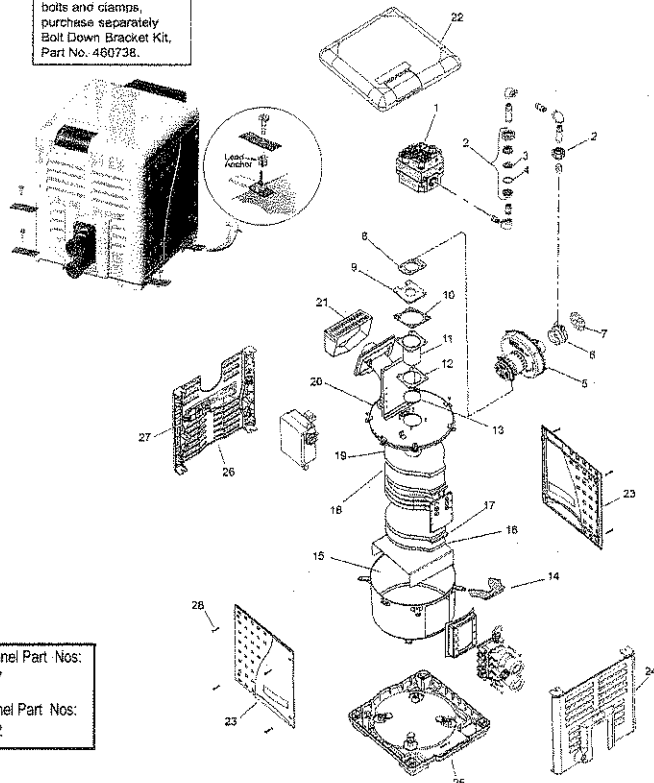
Central
 2512 N Campbell Ave
 520-795-8240 Phone
 520-327-1142 Fax

Main Office/Eastside
 7960 E 22nd St
 520-886-1211 Phone
 520-886-6364 Fax

Northeast
 9155 E Tanque Verde Rd
 520-749-9155 Phone
 520-760-0035 Fax

PATIO'S NUMBER	ITEM KEY	PENTAIR MASTERTEMP HEATER MODELS 175; 200; 250; 300; & 400 - NA & LP	MANUFACTURER NUMBER
<u>BURNER SYSTEM - NATURAL GAS & PROPANE</u>			
012-4051	1	Combination Gas Control Valve Kit	42001-0051S
	2	3/4" Union (Requires 2)	38404-4097S
	5	Air Blower Kit (175NA & 200NA)	77707-0251
		Air Blower Kit (250NA)	460743
		Air Blower Kit (300NA)	460757
012-4206		Air Blower Kit (400NA)	77707-0253
		175LP, 200LP - Air Blower Kit	77707-0254
		250LP - Air Blower Kit	460744
		300LP - Air Blower Kit	460758
012-4205	7	Air Orifice Grill (Requires 8)	42001-0114S
	15	One Piece Metal Chamber/Combustion Chamber Assembly	42001-0200S
	20	One Piece Metal Elbow/Combustion Chamber Cover Assembly	42001-0214S
	21	Metal Vent Cover	42002-0005S
	22	Heater Top	42002-0034Z
	23	Side Panel (Service Panel)	42002-0039Z
	24	Side Panel (Manifold)	42002-0033Z
	25	Heater Bottom	42002-0031
	26	Side Panel (Flue Stack)	42002-0032Z
	27	J Box Cover	42002-0041

For Heater mounting
 bolts and clamps,
 purchase separately
 Bolt Down Bracket Kit,
 Part No. 460738.



Front Door Panel Part Nos:
 42002 - 00337
 Side Door Panel Part Nos:
 42002 - 00392

Sierra Vista
 4711 S Highway 92
 1-800-559-9291 Phone
 520-458-9293 Fax



COMMERCIAL POOL CARE DIVISION

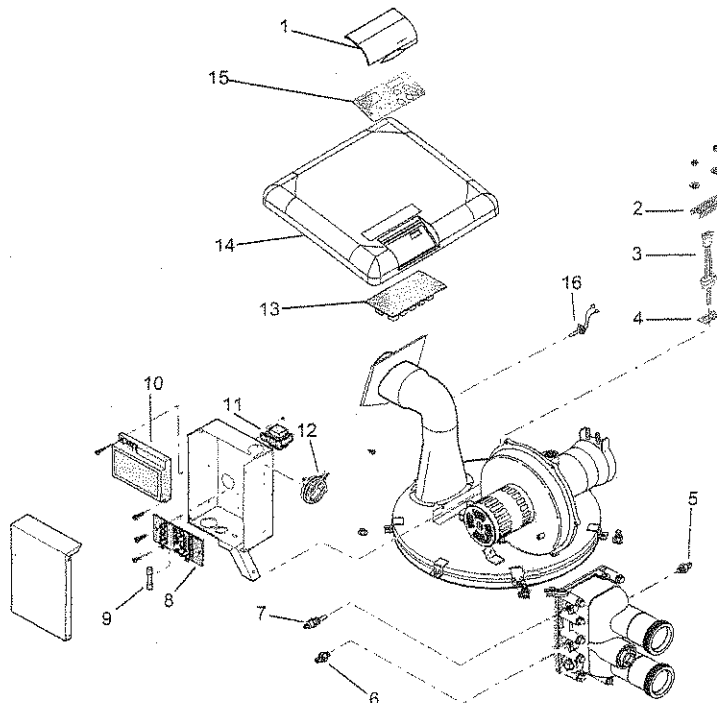
Northwest
 6320 N Oracle Rd
 520-797-2299 Phone
 520-797-9293 Fax

Central
 2512 N Campbell Ave
 520-795-8240 Phone
 520-327-1142 Fax

Main Office/Eastside
 7960 E 22nd St
 520-886-1211 Phone
 520-886-6364 Fax

Northeast
 9155 E Tanque Verde Rd
 520-749-9155 Phone
 520-760-0035 Fax

PATIO'S		PENTAIR MASTERTEMP HEATER		MANUFACTURER
NUMBER	ITEM KEY	MODELS 175; 200; 250; 300; & 400 - NA & LP		NUMBER
<u>ELECTRICAL SYSTEM REPLACEMENT PARTS</u>				
	1	Heater Display Cover		42002-0035
	2	Ignition Bracket		42001-0030S
012-4054	3	Ignition/Ignition Gasket Kit (Includes 4 & 5)		77707-0054
	4	Ignition Gasket		42001-0066S
012-4063	5	Automatic Gas Shutoff Switch (AGS)		42002-0025S
012-4053	6	High Limit Switch		42001-0063S
012-4056	7	Thermister		42001-0053S
	8	Terminal Board		42001-0056S
	9	Fireman's Switch Fuse (1.25A, 1-1/4")		32850-0099
012-4052	10	Ignition Control Module		42001-0052S
012-4007	11	Transformer, 115/230V		42001-0107S
012-4161	12	Air Flow Switch		42001-0061S
	13	Control Board Kit (NA, LP Series)		42002-0007S
	14	Heater Top		42002-0034Z
	15	Membrane Pad (NA, LP Series)		472610Z
012-4224	16	Stack Flue Sensor		42002-0024S
	*	Heater Wiring Harness - 115/230V		42001-0104S
	*	120/240 Volt Plug Kit		42001-0105S
* Items Not Shown				



Sierra Vista
4711 S Highway 92
1-800-559-9291 Phone
520-458-9293 Fax



COMMERCIAL POOL CARE DIVISION

Northwest
6320 N Oracle Rd
520-797-2299 Phone
520-797-9293 Fax

Central
2512 N Campbell Ave
520-795-8240 Phone
520-327-1142 Fax

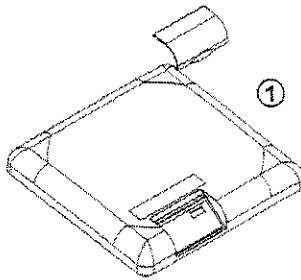
Main Office/Eastside
7960 E 22nd St
520-886-1211 Phone
520-886-6364 Fax

Northeast
9155 E Tanque Verde Rd
520-749-9155 Phone
520-760-0035 Fax

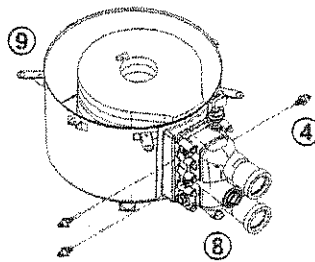
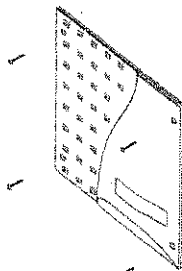
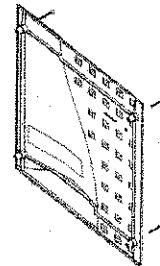
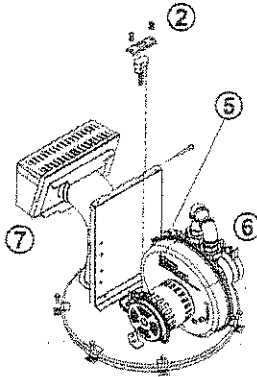
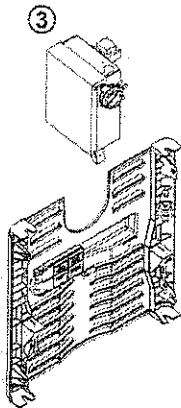
PENTAIR MASTERTEMP HEATER
MODELS 175; 200; 250; 300; & 400 - NA & LP

ELECTRICAL SYSTEM REPLACEMENT PARTS

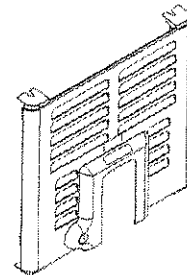
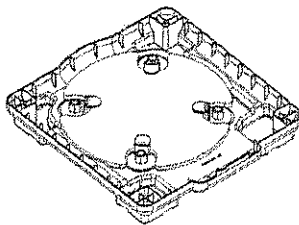
For complete
Electrical System
parts breakdown
(Key Nos. 1 through 4).



For complete
Burner System
parts breakdown
(Key Nos. 5 through 7).



For complete
Water System
parts breakdown
(Key Nos. 8 through 9).



Sierra Vista
 4711 S Highway 92
 1-800-559-9291 Phone
 520-458-9293 Fax



COMMERCIAL POOL CARE DIVISION

Northwest
 6320 N Oracle Rd
 520-797-2299 Phone
 520-797-9293 Fax

Central
 2512 N Campbell Ave
 520-795-8240 Phone
 520-327-1142 Fax

Main Office/Eastside
 7960 E 22nd St
 520-886-1211 Phone
 520-886-6364 Fax

Northeast
 9155 E Tanque Verde Rd
 520-749-9155 Phone
 520-760-0035 Fax

PATIO'S NUMBER	ITEM NO.	PENTAIR MASTERTEMP HEATER MODELS 175; 200; 250; 300; & 400 - NA & LP	MANUFACTURER NUMBER
<u>WATER SYSTEM REPLACEMENT PARTS</u>			
012-4232	1	Tube Sheet Coil Assembly Kit, All 175 & 200 Models (Includes #3) Tube Sheet Coil Assembly Kit, All 250 Models (Includes #3)	77707-0232 460747
012-4233		Tube Sheet Coil Assembly Kit, All 300 Models (Includes #3)	77707-0233
012-4244		Tube Sheet Coil Assembly Kit, All 400 Models (Includes #3)	77707-0244
		Tube Sheet Coil Assembly Kit, HD Series 250 Models (Includes #3)	473710
012-4014	2	Manifold Kit (Incl. 3 thru 14, 21 & 5 thru 7-Electrical System) All 175/200	77707-0014
		Manifold Kit (Incl. 3 thru 14, 21 & 5 thru 7-Electrical System) All 250	460748
012-4015		Manifold Kit (Incl. 3 thru 14, 21 & 5 thru 7-Electrical System) All 300	77707-0015
012-4016		Manifold Kit (Incl. 3 thru 14, 21 & 5 thru 7-Electrical System) All 400	77707-0016
012-4119	3	Coil/Tubesheet O-Ring Seal Kit, All Models (Req. 6 to 12)	77707-0119
012-4060	9	Water Pressure Switch	42001-0060S
		Water Pressure Switch (ASME)	473716Z
	14	Connector Tube Kit (Includes 1 Connector and 1 O-Ring)	77707-0017
012-4010	15	Thermal Regulator Kit (Includes 16 thru 19 and Spring Clip)	77707-0010
SP6-2445	16	Thermal Regulator (Includes Clip)	38000-0007S
	18	Thermal Regulator Cap O-Ring	35505-1313
025-0620	20	Drain Plug	U178-920P
	21	Zinc Plug 428-60 PS	473715Z
	*	O-Ring Kit (Includes #3, 5)	77707-0120
	*	Bypass Access Plug (ASME)	472648Z
	*	6 Tube Pressure Vessel Kit (ASME)	460807
	*	Thermal Regulator Kit (Includes Spring Clip and Installation Tool)(ASME)	460924

Sierra Vista
4711 S Highway 92
1-800-559-9291 Phone
520-458-9293 Fax



COMMERCIAL POOL CARE DIVISION

Northwest
6320 N Oracle Rd
520-797-2299 Phone
520-797-9293 Fax

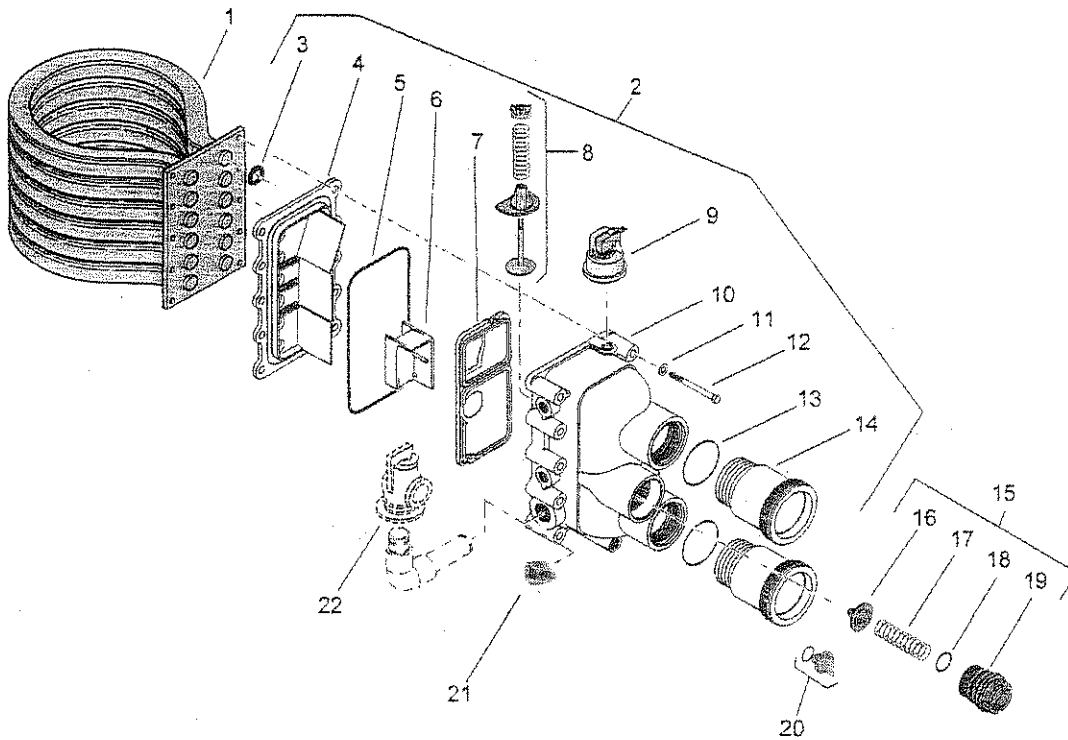
Central
2512 N Campbell Ave
520-795-8240 Phone
520-327-1142 Fax

Main Office/Eastside
7960 E 22nd St
520-886-1211 Phone
520-886-6364 Fax

Northeast
9155 E Tanque Verde Rd
520-749-9155 Phone
520-760-0035 Fax

PENTAIR MASTERTEMP HEATER
MODELS 175; 200; 250; 300; & 400 - NA & LP

WATER SYSTEM REPLACEMENT PARTS



Sierra Vista
 4711 S Highway 92
 1-800-559-9291 Phone
 520-458-9293 Fax



COMMERCIAL POOL CARE DIVISION

Northwest
 6320 N Oracle Rd
 520-797-2299 Phone
 520-797-9293 Fax

Central
 2512 N Campbell Ave
 520-795-8240 Phone
 520-327-1142 Fax

Main Office/Eastside
 7960 E 22nd St
 520-886-1211 Phone
 520-886-6364 Fax

Northeast
 9155 E Tanque Verde Rd
 520-749-9155 Phone
 520-760-0035 Fax

PATIO'S NUMBER	ITEM NO.	PENTAIR MASTERTEMP HEATER MODELS 175; 200; 250; 300; & 400 - NA & LP	MANUFACTURER NUMBER
<u>BURNER SYSTEM REPLACEMENT PARTS</u>			
<u>*** NONE OF THESE ITEMS ARE SHOWN ***</u>			
<u>NG - NATURAL GAS</u>			
		Gas Orifice Kit - NG, Model 175 (Incl. # 3 and #4)	460794
		Gas Orifice Kit - NG, Model 200 (Incl. # 3 and #4)	77707-0431
		Gas Orifice Kit - NG, Model 250 (Incl. # 3 and #4)	460739
		Gas Orifice Kit - NG, Model 300 (Incl. # 3 and #4)	460753
		Gas Orifice Kit - NG, Model 400 (Incl. # 3 and #4)	77707-0411
		Gas Orifice Kit - Propane, Model 175 (Incl. # 3 and #4)	460795
		Gas Orifice Kit - Propane, Model 200 (Incl. # 3 and #4)	77707-0461
		Gas Orifice Kit - Propane, Model 250 (Incl. # 3 and #4)	460740
		Gas Orifice Kit - Propane, Model 300 (Incl. # 3 and #4)	460754
		Gas Orifice Kit - Propane, Model 400 (Incl. # 3 and #4)	77707-0441
012-1461		NG to Propane Conversion Kit - Model 175 (Incl. #3 and #4)	460794
		NG to Propane Conversion Kit - Model 200 (Incl. #3 and #4)	77707-1461
		NG to Propane Conversion Kit - Model 250 (Incl. #3 and #4)	460741
012-1441		NG to Propane Conversion Kit - Model 300 (Incl. #3 and #4)	460755
		NG to Propane Conversion Kit - Model 400 (Incl. #3 and #4)	77707-1441
		Propane to NG Conversion Kit - Model 175 (Incl. #3 and #4)	460795
		Propane to NG Conversion Kit - Model 200 (Incl. #3 and #4)	77707-1431
		Propane to NG Conversion Kit - Model 250 (Incl. #3 and #4)	460742
		Propane to NG Conversion Kit - Model 300 (Incl. #3 and #4)	460756
		Propane to NG Conversion Kit - Model 400 (Incl. #3 and #4)	77707-1411
		Air Orifice Kit - Model 175 (Incl. #6 and #7)	460798
		Air Orifice Kit - Model 200 (Incl. #6 and #7)	77707-0111
		Air Orifice Kit - Model 250 (Incl. #6 and #7)	460745
012-4113		Air Orifice Kit - Model 300 (Incl. #6 and #7)	460759
012-4011		Air Orifice Kit - Model 400 (Incl. #6 and #7)	77707-0113
012-4202		Blower/Adapter Plate Gasket Kit - (Incl. #8, 9, 10, and 12)(All Models)	77707-0011
		Flameholder Kit - Models 175 & 200 (Incl. #10 thru 13)	77707-0202
		Flameholder Kit - Model 250 (Incl. #10 thru 13)	460746
012-4203		Flameholder Kit - Model 300 (Incl. #10 thru 13)	77707-0203
012-4204		Flameholder Kit - Model 400 (Incl. #10 thru 13)	77707-0204
012-4008		Insulation Kit - (Incl. #13,15, 23, 24, and 25)(All Models)	77707-0008
		Lower Enclosure Insulation (All Models)	42001-0074S
		Metal Vent Cover Assembly (All Models)	42001-0214S