

Sierra Vista  
 4711 S Highway 92  
 1-800-559-9291 Phone  
 520-458-9293 Fax



Northwest  
 6320 N Oracle Rd  
 520-797-2299 Phone  
 520-797-9293 Fax

COMMERCIAL POOL CARE DIVISION

Central  
 2512 N Campbell Ave  
 520-795-8240 Phone  
 520-327-1142 Fax

Main Office/Eastside  
 7960 E 22nd St  
 520-886-1211 Phone  
 520-886-6364 Fax

Northeast  
 9155 E Tanque Verde Rd  
 520-749-9155 Phone  
 520-760-0035 Fax

PATIO'S NUMBER	ITEM NO.	POWERMAX COMMERCIAL HEATER MODEL #900	MANUFACTURER NUMBER
012-5180	1	Top Cover	471310
	2	Flue Collector	471338
	3	Pressure Switch	470191
	4	Flow Valve	471115
	5	Pressure Relief Valve	470768
	6	Main Header	470881
	7a	Hi-Limit Switch, 150 Shut Off	71017
	7b	Hi-Limit Switch, 135 Shut Off	471175
	8	Bolts	470996
	9	Rubber Seal	470742
	10	Cumbustion Chamber	470979
	11	Heat Exchanger	470737
	12	Baffle	470647
	13	Return Header	470745
	14	Manual Pilot Valve	470772
	15	Main Shut-Off Valve	470773
	012-5511 012-5512	16	Black Steel Pipes
17		Manifold	470654
18		Union 1-1/5", Black	470982
19		Pilot Q3451B1178 - Natural Gas	471204
		Pilot Q3451B1236 - Propane	471205
20		Pilot Regulator	470771
21		Pilot Valve	470770
22		Gas Valve Solenoid	470688
23		Gas Valve Diaphragm - Natural Gas	470687
		Gas Valve Diaphragm - Propane	471160
012-5173	24	Elbow 1" x 1-1/2"	470981
	25	Burner, see 471537	OBSOLETE
		Burner (Alternate)	471537
	26	Thermal Cut-Off	75173
	27	Base Heat Shield	470724
	28	Retainer Shield	470794
	29	Junction Box	471426
	30	Transformer	471571
TSC-0094 SPS-1783	31	IID Module S8600F - Natural Gas	73584
		IID Module S8600H - Propane	73585
SP5-1355	32	Jacket Assembly	470718
	33	Rocker Switch	470186
	34	Thermostat Board	470179
	35	Control Panel	470755
	36	Door	470701
	37	Blower Cover Box	471335

Continued on Next Page!

Sierra Vista  
4711 S Highway 92  
1-800-559-9291 Phone  
520-458-9293 Fax



COMMERCIAL POOL CARE DIVISION

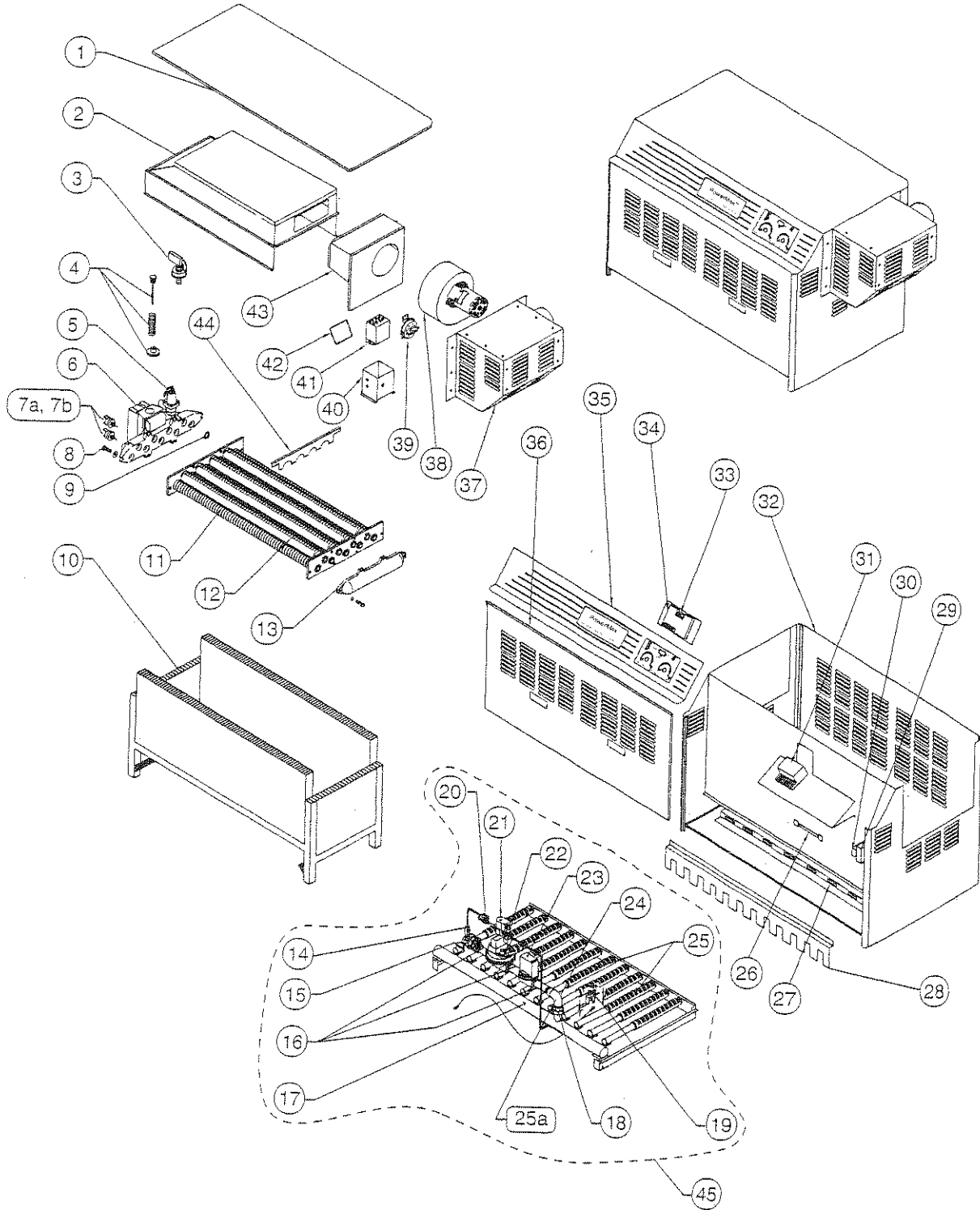
Northwest  
6320 N Oracle Rd  
520-797-2299 Phone  
520-797-9293 Fax

Central  
2512 N Campbell Ave  
520-795-8240 Phone  
520-327-1142 Fax

Main Office/Eastside  
7960 E 22nd St  
520-886-1211 Phone  
520-886-6364 Fax

Northeast  
9155 E Tanque Verde Rd  
520-749-9155 Phone  
520-760-0035 Fax

POWERMAX COMMERCIAL HEATER  
MODEL #900



Sierra Vista  
 4711 S Highway 92  
 1-800-559-9291 Phone  
 520-458-9293 Fax



COMMERCIAL POOL CARE DIVISION

Northwest  
 6320 N Oracle Rd  
 520-797-2299 Phone  
 520-797-9293 Fax

Central  
 2512 N Campbell Ave  
 520-795-8240 Phone  
 520-327-1142 Fax

Main Office/Eastside  
 7960 E 22nd St  
 520-886-1211 Phone  
 520-886-6364 Fax

Northeast  
 9155 E Tanque Verde Rd  
 520-749-9155 Phone  
 520-760-0035 Fax

PATIO'S NUMBER	ITEM NO.	POWERMAX COMMERCIAL HEATER MODEL #900	MANUFACTURER NUMBER
	38	Blower	473114
	39	Air Pressure Switch	471428
	40	Blower Control Box	470331
	41	Relay	470010
	42	Cover, Blower Control Box	470337
	43	Blower Adapter	471333
	44	Baffle Hold Down	470799
	45	Burner Tray Assembly - Natural Gas	470650
		Burner Tray Assembly - Propane	470670
		<u>* Items Not Shown</u>	
SP3-5583	*	Thermister Probe (Complete)	470180
	*	Stem, Thermostat Control	470181
	*	Knob, Thermostat	470184