

Sierra Vista
4711 S Highway 92
1-800-559-9291 Phone
520-458-9293 Fax



Northwest
6320 N Oracle Rd
520-797-2299 Phone
520-797-9293 Fax

COMMERCIAL POOL CARE DIVISION

Central
2512 N Campbell Ave
520-795-8240 Phone
520-327-1142 Fax

Main Office/Eastside
7960 E 22nd St
520-886-1211 Phone
520-886-6364 Fax

Northeast
9155 E Tanque Verde Rd
520-749-9155 Phone
520-760-0035 Fax

PATIO'S NUMBER	ITEM KEY	RAYPAK RP2100 DIGITAL - ATMOSPHERIC HEATERS MODELS R185A, R265A, R335A, & R405A	MANUFACTURER NUMBER	
	<u>B</u>	<u>BURNER TRAY ASSEMBLY</u>		
SP5-3985	1-B	Burner Tray w/Burners (Sea Level)* 185A	005213F	
		Burner Tray w/Burners (Sea Level)* 265A	005214F	
		Burner Tray w/Burners (Sea Level)* 335A	005215F	
		Burner Tray w/Burners (Sea Level)* 405A	005216F	
		Burner Tray w/o Burner (Sea Level)* 185A	005217F	
		Burner Tray w/o Burner (Sea Level)* 265A	005218F	
		Burner Tray w/o Burner (Sea Level)* 335A	005219F	
		Burner Tray w/o Burner (Sea Level)* 405A	005220F	
		Burner Tray w/Gas Valve Nat Millivolt 185A	005221F	
		Burner Tray w/Gas Valve Nat Millivolt 265A	005222F	
		Burner Tray w/Gas Valve Nat Millivolt 335A	005223F	
		Burner Tray w/Gas Valve Nat Millivolt 405A	005224F	
		012-6523	1-B	Burner Tray w/Gas Valve Nat IID 185A
Burner Tray w/Gas Valve Nat IID 265A	005230F			
Burner Tray w/Gas Valve Nat IID 335A	005231F			
Burner Tray w/Gas Valve Nat IID 405A	005232F			
2-B	Burner Spacer/Hold Down Kit 185A			005237F
	Burner Spacer/Hold Down Kit 265A			005238F
	Burner Spacer/Hold Down Kit 335A			005239F
	Burner Spacer/Hold Down Kit 405A			005240F
3-B	Burner 185A			301210/13
	Burner 265A			301210/19
	Burner 335A			301210/24
	Burner 405A			301210/29
4-B	Burner Orifice Nat. #51 (Sea Level)* 185A			350080F/13
	Burner Orifice Nat. #51 (Sea Level)* 265A	350080F/19		
	Burner Orifice Nat. #51 (Sea Level)* 335A	350080F/24		
	Burner Orifice Nat. #51 (Sea Level)* 405A	350080F/29		
5-B	Burner Tray w/o Manifold w/o Burners 185A	005265F		
	Burner Tray w/o Manifold w/o Burners 265A	005266F		
	Burner Tray w/o Manifold w/o Burners 335A	005267F		
	Burner Tray w/o Manifold w/o Burners 405A	005268F		
	<u>C</u>	<u>CONTROLS - ALL MODELS</u>		
012-6725	1-C	Thermostat Auto Reset - 135 Deg. Surface Mount (All Models)	006725F	
012-6892	2-C	AGS 135 Deg. (Auto Gas Shut-Off) - Red Epoxy	600892B	
012-6893	3-C	High Limit 145 Deg. - Black Epoxy	600893B	
	4-C	P.C. Control Board IID Units P.C. Weather Shield (Not Shown)	010253F 009059F	
012-6346	5-C	Thermostat Control MV Units - Mechanical	003346F	
012-6701	6-C	Temperature Sensor IID Units	006701F	

Sierra Vista
4711 S Highway 92
1-800-559-9291 Phone
520-458-9293 Fax



Northwest
6320 N Oracle Rd
520-797-2299 Phone
520-797-9293 Fax

COMMERCIAL POOL CARE DIVISION

Central
2512 N Campbell Ave
520-795-8240 Phone
520-327-1142 Fax

Main Office/Eastside
7960 E 22nd St
520-886-1211 Phone
520-886-6364 Fax

Northeast
9155 E Tanque Verde Rd
520-749-9155 Phone
520-760-0035 Fax

PATIO'S NUMBER	ITEM KEY	RAYPAK RP2100 DIGITAL - ATMOSPHERIC HEATERS MODELS R185A, R265A, R335A, & R405A	MANUFACTURER NUMBER
	<u>G</u>	<u>GAS VALVES - ALL MODELS</u>	
SP1-5882 012-6900	1-G	Combination Valve - Nat. MV Combination Valve - Nat. IID	003898F 003900F
	<u>HP</u>	<u>HEAT EXCHANGER - POLYMER</u>	
012-6703	1-HP	Heat Exchanger Assembly Complete 185A Heat Exchanger Assembly Complete 265A Heat Exchanger Assembly Complete 335A Heat Exchanger Assembly Complete 405A	006702F 006703F 006704F 006705F
012-6705 012-6828 012-6706	2-HP	Inlet/Outlet Header Complete - All Models Inlet/Outlet Header (Includes 6-H) - All Models	006827F 006706F
012-6707	3-HP	Return Header (Includes 6-H) All Models	006707F
SP1-6817 012-6709 SP3-5382 012-6711	4-HP	Tube Bundle** 185A Tube Bundle** 265A Tube Bundle** 335A Tube Bundle** 405A Tube Bundle Cupro Nickel (Upgrade) 185A Tube Bundle Cupro Nickel (Upgrade) 265A Tube Bundle Cupro Nickel (Upgrade) 335A Tube Bundle Cupro Nickel (Upgrade) 405A	006708F 006709F 006710F 006711F 009878F 010365F 009880F 009881F
	5-HP	Bolt Kit - All Models Flange Nut Kit - All Models	006712F 008259F
012-6713	6-HP	O-Ring / Gasket - All Models (Requires 2)	006713F
012-6714	7-HP	Sensor Adapter - Digital Electronic - All Models Well Sensor - Millivolt - All Models	006714F 006805F
012-6715	8-HP	Bypass Kit - All Models	006715F
	9-HP	Bypass Valve - All Models	006716F
SPS-4267	10-HP	Bypass Dam / Shaft - All Models	006717F
	11-HP	Bypass Spring (All Sizes Included)	006718F
012-6719	12-HP	Unitherm Governor - All Models	006719F
012-6720	13-HP	Unitherm Governor Plug - All Models	006720F
012-6721	14-HP	Drain Plug - All Models	006721F
	15-HP	Inlet/Outlet Header Dam	006722F
012-6723	16-HP	2" PVC Connector & Nut - All Models (Requires 2)	006723F
012-6724	17-HP	O-Ring - All Models (Requires 2)	006724F
	18-HP	Stainless Steel Baffle - All Models	006826F
	19-HP	Baffle 185A (Requires 8) Baffle 265A (Requires 8) Baffle 335A (Requires 8) Baffle 405A (Requires 8)	005260F 005261F 005262F 005263F

Sierra Vista
 4711 S Highway 92
 1-800-559-9291 Phone
 520-458-9293 Fax



COMMERCIAL POOL CARE DIVISION

Northwest
 6320 N Oracle Rd
 520-797-2299 Phone
 520-797-9293 Fax

Central
 2512 N Campbell Ave
 520-795-8240 Phone
 520-327-1142 Fax

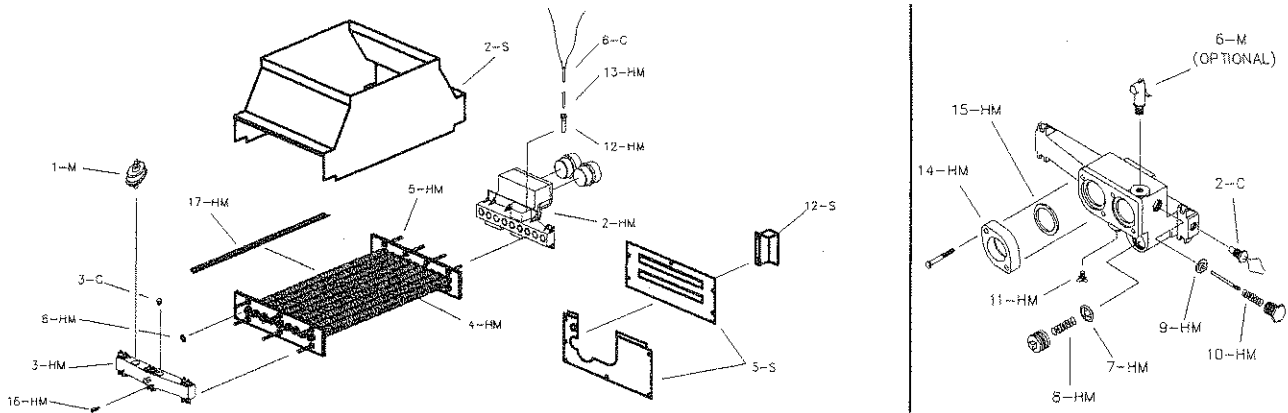
Main Office/Eastside
 7960 E 22nd St
 520-886-1211 Phone
 520-886-6364 Fax

Northeast
 9155 E Tanque Verde Rd
 520-749-9155 Phone
 520-760-0035 Fax

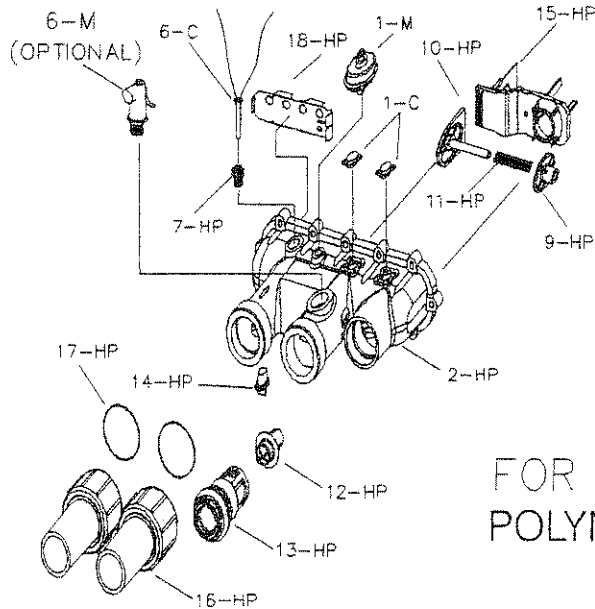
RAYPAK RP2100 DIGITAL - ATMOSPHERIC HEATERS
 MODELS R185A, R265A, R335A, & R405A

HEADER ASSEMBLIES

DATE OF MANUFACTURE: 11-01-98 THRU 10-01-03



↑ FOR UNITS WITH ASME METAL HEADERS ↓



FOR UNITS WITH
 POLYMER HEADERS

Sierra Vista
4711 S Highway 92
1-800-559-9291 Phone
520-458-9293 Fax



COMMERCIAL POOL CARE DIVISION

Northwest
6320 N Oracle Rd
520-797-2299 Phone
520-797-9293 Fax

Central
2512 N Campbell Ave
520-795-8240 Phone
520-327-1142 Fax

Main Office/Eastside
7960 E 22nd St
520-886-1211 Phone
520-886-6364 Fax

Northeast
9155 E Tanque Verde Rd
520-749-9155 Phone
520-760-0035 Fax

PATIO'S NUMBER	ITEM KEY	RAYPAK RP2100 DIGITAL - ATMOSPHERIC HEATERS MODELS R185A, R265A, R335A, & R405A	MANUFACTURER NUMBER
	<u>HM</u>	<u>HEAT EXCHANGERS - METAL</u>	
	1-HM	Heat Exchanger Assembly 185A - ASME	006726F
		Heat Exchanger Assembly 265A - ASME	006727F
		Heat Exchanger Assembly 335A - ASME	006728F
		Heat Exchanger Assembly 405A - ASME	006729F
	2-HM	Inlet/Outlet Header - All Models - ASME	006730F
	3-HM	Return Header - All Models - ASME	006731F
	4-HM	Tube Bundle 185A - ASME**	006732F
012-6733		Tube Bundle 265A - ASME**	006733F
SP1-7860		Tube Bundle 335A - ASME**	006734F
		Tube Bundle 405A - ASME**	006735F
		Cupro Nickel Tube Bundle 185A (Upgrade)	010859F
		Cupro Nickel Tube Bundle 265A (Upgrade)	010369F
		Cupro Nickel Tube Bundle 335A (Upgrade)	010860F
		Cupro Nickel Tube Bundle 405A (Upgrade)	010861F
	5-HM	Bolt Kit - All Models	001303F
		Stud Bolt Kit - All Models	007870F
012-6234	6-HM	Header Gasket - All Models (Requires 9)	800014B
	7-HM	Unitherm Governor - All Models	062234B
	8-HM	Unitherm Governor Retainer Spring - All Models	850254
012-6235	9-HM	Bypass Valve - All Models	062235B
SSC-0198	10-HM	Bypass Spring - All Models	850252
	11-HM	Drain Valve - All Models	500719
012-6765	12-HM	Sensor Well - All Models	003765F
	13-HM	Well Retaining Clip - All Models	300203
SP5-1179	14-HM	Inlet / Outlet Flange - All Models	003766F
012-6236	15-HM	Flange Gasket Kit, 1-1/2" Connections	062236B
012-6080		Flange Gasket Kit, 2" Connections	800080B
SP3-5612	16-HM	Rear Drain Plug & Cover - All Models	005264F
	17-HM	Baffle Kit (Set of 8) 185A	005260F
		Baffle Kit (Set of 8) 265A	005261F
		Baffle Kit (Set of 8) 335A	005262F
		Baffle Kit (Set of 8) 405A	005263F
	<u>J</u>	<u>CONTROL BOX - ALL MODELS</u>	
012-4817	1-J	Ignition Control IID Nat.	004817B
SP6-2644	2-J	Transformer 120/240/ 24V	006736F
012-6872	3-J	Rocker Switcher	006872F
		**WARNING: The Hydraulic conditions or water chemistry that caused the tube bundle to fail, has very likely damaged the bypass valve and Unitherm Governor. We recommend you replace the Untherm Governor and inspect the bypass assembly. Failure to do so could cause premature failure of this replacement part!	

Sierra Vista
4711 S Highway 92
1-800-559-9291 Phone
520-458-9293 Fax



COMMERCIAL POOL CARE DIVISION

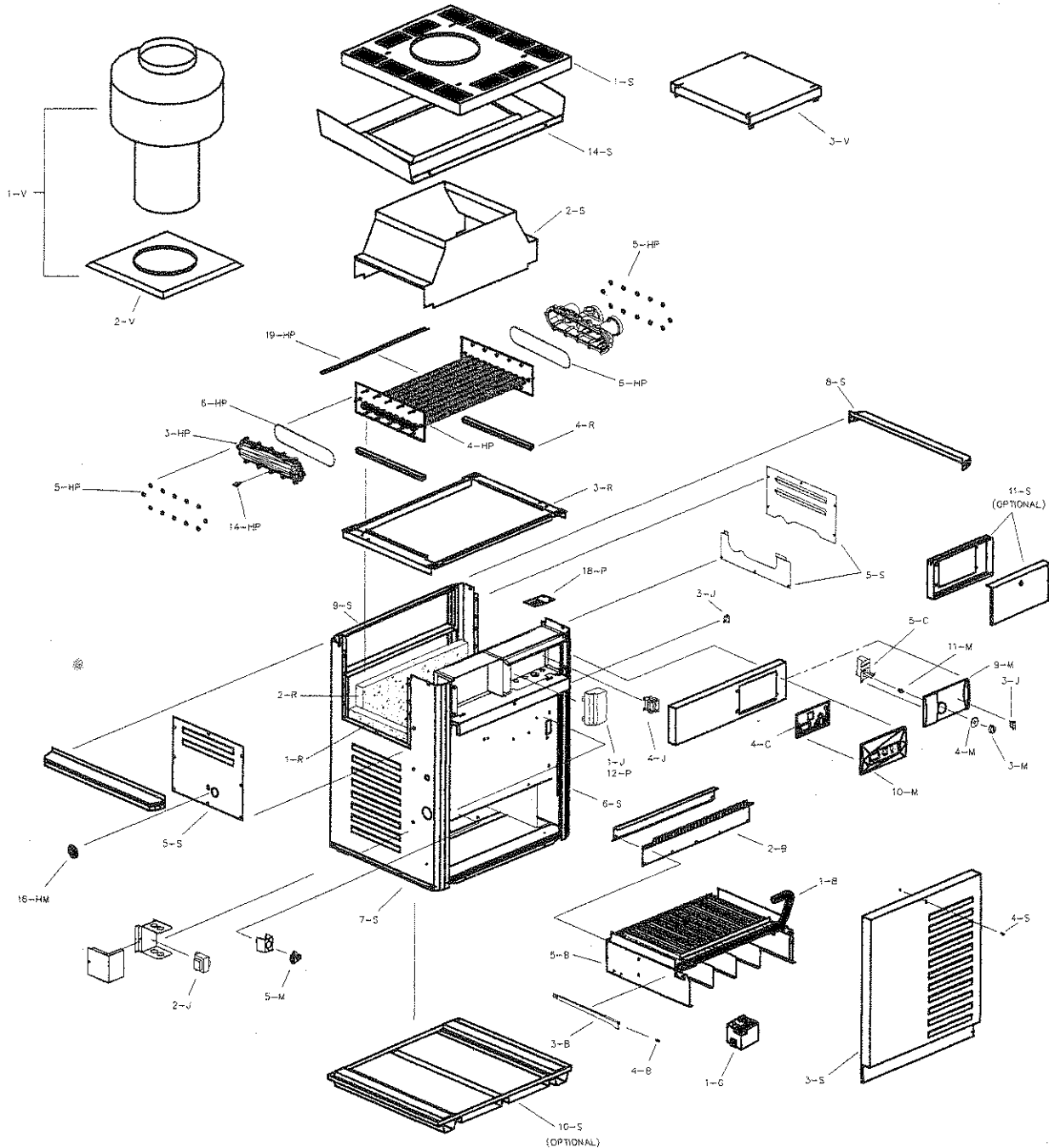
Northwest
6320 N Oracle Rd
520-797-2299 Phone
520-797-9293 Fax

Central
2512 N Campbell Ave
520-795-8240 Phone
520-327-1142 Fax

Main Office/Eastside
7960 E 22nd St
520-886-1211 Phone
520-886-6364 Fax

Northeast
9155 E Tanque Verde Rd
520-749-9155 Phone
520-760-0035 Fax

RAYPAK RP2100 DIGITAL - ATMOSPHERIC HEATERS
MODELS R185A, R265A, R335A, & R405A



Sierra Vista
 4711 S Highway 92
 1-800-559-9291 Phone
 520-458-9293 Fax



COMMERCIAL POOL CARE DIVISION

Northwest
 6320 N Oracle Rd
 520-797-2299 Phone
 520-797-9293 Fax

Central
 2512 N Campbell Ave
 520-795-8240 Phone
 520-327-1142 Fax

Main Office/Eastside
 7960 E 22nd St
 520-886-1211 Phone
 520-886-6364 Fax

Northeast
 9155 E Tanque Verde Rd
 520-749-9155 Phone
 520-760-0035 Fax

PATIO'S NUMBER	ITEM KEY	RAYPAC DIGITAL - ATMOSPHERIC HEATERS MODELS R185A, R265A, R335A, & R405A	MANUFACTURER NUMBER
	<u>M</u>	<u>MISCELLANEOUS COMPONENTS - ALL MODELS</u>	
012-6737	1-M	Pressure Switch, 1.75 PSI	006737F
		Pressure Switch, 11 PSI	009133F
	3-M	Thermostat Knob	800303
	4-M	Knobstop	006886F
SP1-7092	5-M	Thermal Fuse (Atmospheric)	005899F
	6-M	Pressure Relief Valve - 125 PSI (Optional, but Recommended)	008091F
	7-M	Delimiting Kit	052871F
	8-M	Wire / Harness - Millivolt	005269F
		Wire / Harness - IID	006738F
	9-M	Control Panel - Millivolt	005291F
012-6739	10-M	Control Panel - IID (Includes Switch Decal)	006739F
		Switch / Decal-Membrane	009184F
	11-M	Thermostat Shaft - Millivolt	800307
	<u>P</u>	<u>PILOT ASSEMBLY - ALL MODELS</u>	
012-6525	1-P	Pilot Nat. - Millivolt	600525F
	3-P	Pilot IID Figure #8124 (Produced prior to June 1, 2000)	006886F
012-6020		Pilot IID Figure #9369 (Produced after to June 1, 2000)	002003F
	5-P	Pilot Orifice Nat. - Millivolt	003901F
	7-P	Pilot Orifice Nat. - IID .020	003903F
	9-P	Pilot Generator - Millivolt	600019B
012-4817	12-P	Ignition Control IID	004817B
012-6481		Ignition Control IID Lock	004818B
	13-P	Pilot Mounting Bracket - Millivolt	306693
SP3-4354	14-P	Pilot Mounting Bracket - IID	306692
	15-P	Lighter Tube (Millivolt Units Only)	62996
WPS-0292	16-P	Pilot Tube	004078F
012-6054	17-P	Hi Tension Wire IID	002654B
		Hi Tension Wire IID with Pilot Electrode (Figure #8124)	007864F
	<u>R</u>	<u>REFRACTORY</u>	
012-6282	1-R	Refractory Common (Right & Left) All Models	005282F
	2-R	Refractory Uncommon 185A	005283F
012-5284		Refractory Uncommon 265A	005284F
		Refractory Uncommon 335A	005285F
012-6286		Refractory Uncommon 405A	005286F
	3-R	Refractory Retainer Kit 185A	005287F
		Refractory Retainer Kit 265A	005288F
		Refractory Retainer Kit 335A	005289F
		Refractory Retainer Kit 405A	005290F
	4-R	Insulation Strips	006900F

Sierra Vista
 4711 S Highway 92
 1-800-559-9291 Phone
 520-458-9293 Fax



COMMERCIAL POOL CARE DIVISION

Northwest
 6320 N Oracle Rd
 520-797-2299 Phone
 520-797-9293 Fax

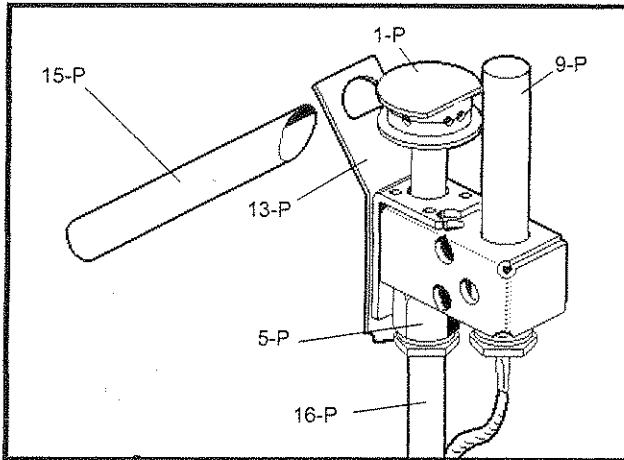
Central
 2512 N Campbell Ave
 520-795-8240 Phone
 520-327-1142 Fax

Main Office/Eastside
 7960 E 22nd St
 520-886-1211 Phone
 520-886-6364 Fax

Northeast
 9155 E Tanque Verde Rd
 520-749-9155 Phone
 520-760-0035 Fax

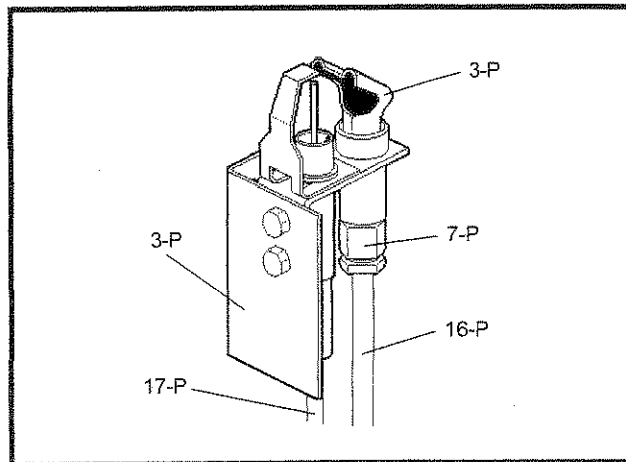
RAYPAK RP2100 DIGITAL - ATMOSPHERIC HEATERS
 MODELS R185A, R265A, R335A, & R405A

PILOT ASSEMBLIES



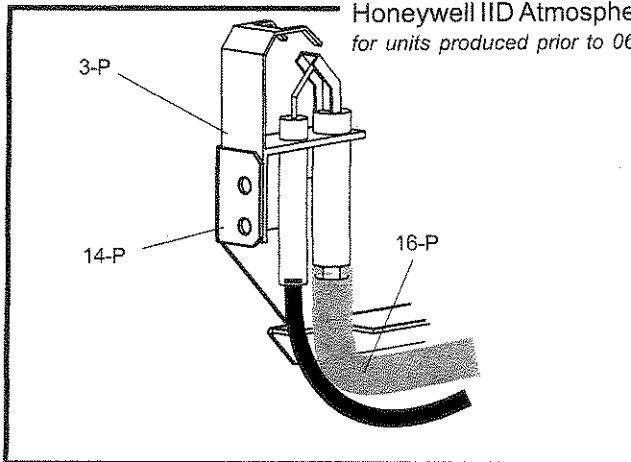
Honeywell MV

Fig. #8107



Honeywell IID Atmospheric units
 for units produced prior to 06/01/2000

Fig. #8124



Honeywell IID Low NOx and Atmospheric units Fig. #9369

for units produced after to 06/01/2000

Use KIT Number 008155F for Low NOx units

Use KIT Number 002003F for Atmospheric units

Sierra Vista
 4711 S Highway 92
 1-800-559-9291 Phone
 520-458-9293 Fax



Northwest
 6320 N Oracle Rd
 520-797-2299 Phone
 520-797-9293 Fax

COMMERCIAL POOL CARE DIVISION

Central
 2512 N Campbell Ave
 520-795-8240 Phone
 520-327-1142 Fax

Main Office/Eastside
 7960 E 22nd St
 520-886-1211 Phone
 520-886-6364 Fax

Northeast
 9155 E Tanque Verde Rd
 520-749-9155 Phone
 520-760-0035 Fax

PATIO'S NUMBER	ITEM KEY	RAYPAK RP2100 DIGITAL - ATMOSPHERIC HEATERS MODELS R185A, R265A, R335A, & R405A	MANUFACTURER NUMBER
	<u>S</u>	<u>SHEETMETAL</u>	
012-5304	1-S	Jacket Top (Louvered) 185A	005303F
		Jacket Top (Louvered) 265A	005304F
		Jacket Top (Louvered) 335A	005305F
		Jacket Top (Louvered) 405A	005306F
	2-S	Flue Collector (Units w/Capron Headers) 185A	006740F
		Flue Collector (Units w/Capron Headers) 265A	006741F
		Flue Collector (Units w/Capron Headers) 335A	006742F
		Flue Collector (Units w/Capron Headers) 405A	006743F
		Flue Collector (Units w/Metal Headers) 185A - ASME	005307F
		Flue Collector (Units w/Metal Headers) 265A - ASME	005308F
		Flue Collector (Units w/Metal Headers) 335A - ASME	005309F
		Flue Collector (Units w/Metal Headers) 405A - ASME	005310F
	3-S	Door Assembly 185A	005315F
		Door Assembly 265A	005316F
		Door Assembly 335A	005317F
		Door Assembly 405A	005318F
	4-S	Screw & Retainer - All Models	006744F
	5-S	Access Panel Set (3 Pcs.) (Units w/Capron Headers) All Models	006745F
		Access Panel Set (3 Pcs.) (Units w/Metal Headers) All Models	005277F
	6-S	Side Panel (Right) All Models	005300F
	7-S	Side Panel (Left) All Models	005301F
	8-S	Side Panel Cap - All Models	005302F
	9-S	Rear Panel Kit (2 Pcs.) 185A	005278F
		Rear Panel Kit (2 Pcs.) 265A	005279F
		Rear Panel Kit (2 Pcs.) 335A	005280F
		Rear Panel Kit (2 Pcs.) 405A	005281F
	10-S	Sub-Base for Combustable Flooring 185A	5182
		Sub-Base for Combustable Flooring 265A	5183
		Sub-Base for Combustable Flooring 335A	5184
		Sub-Base for Combustable Flooring 405A	5185
	11-S	Poolstat Cover/Lock - All Models	5198
12-S	High Limit Cover - All Models	005294F	
13-S	Base Shield (Not Shown) All Models	008558F	
14-S	Weather Shield 185A	009524F	
	Weather Shield 265A	009525F	
	Weather Shield 335A	009526F	
	Weather Shield 405A	009527F	

Sierra Vista
 4711 S Highway 92
 1-800-559-9291 Phone
 520-458-9293 Fax



Northwest
 6320 N Oracle Rd
 520-797-2299 Phone
 520-797-9293 Fax

COMMERCIAL POOL CARE DIVISION

Central
 2512 N Campbell Ave
 520-795-8240 Phone
 520-327-1142 Fax

Main Office/Eastside
 7960 E 22nd St
 520-886-1211 Phone
 520-886-6364 Fax

Northeast
 9155 E Tanque Verde Rd
 520-749-9155 Phone
 520-760-0035 Fax

PATIO'S NUMBER	ITEM KEY	RAYPAK RP2100 DIGITAL - ATMOSPHERIC HEATERS MODELS R185A, R265A, R335A, & R405A	MANUFACTURER NUMBER
	<u>V</u>	<u>VENTING ASSEMBLY</u>	
SPS-3408	1-V	Indoor Stack Kit (Includes inner adapter panel) 185A	6696
SP1-8072		Indoor Stack Kit (Includes inner adapter panel) 265A	6697
SP1-7098		Indoor Stack Kit (Includes inner adapter panel) 335A	6698
012-6699		Indoor Stack Kit (Includes inner adapter panel) 405A	6699
	2-V	Stack Adapter 185A	008895F
		Stack Adapter 265A	008896F
		Stack Adapter 335A	008897F
		Stack Adapter 405A	008898F
	3-V	"Pagoda" Top 185A	7990
		"Pagoda" Top 265A	7991
		"Pagoda" Top 335A	7992
		"Pagoda" Top 405A	7993