

Sierra Vista
 4711 S Highway 92
 1-800-559-9291 Phone
 520-458-9293 Fax



Northwest
 6320 N Oracle Rd
 520-797-2299 Phone
 520-797-9293 Fax

COMMERCIAL POOL CARE DIVISION

Central
 2512 N Campbell Ave
 520-795-8240 Phone
 520-327-1142 Fax

Main Office/Eastside
 7960 E 22nd St
 520-886-1211 Phone
 520-886-6364 Fax

Northeast
 9155 E Tanque Verde Rd
 520-749-9155 Phone
 520-760-0035 Fax

PATIO'S		RAYPAK DIGITAL - ATMOSPHERIC HEATERS		MANUFACTURER
NUMBER	ITEM KEY	MODELS 206A, 266A, 336A, & 406A		NUMBER
	B	<u>11-01-04 thru Current</u> BURNER TRAY ASSEMBLY		
	1-B	Burner Tray w/Burners - 206A (Sea Level)		010391F
		Burner Tray w/Burners - 266A (Sea Level)		010392F
		Burner Tray w/Burners - 336A (Sea Level)		010393F
		Burner Tray w/Burners - 406A (Sea Level)		010394F
		Burner Tray w/o Burners - 206A (Sea Level)		010395F
		Burner Tray w/o Burners - 266A (Sea Level)		010396F
		Burner Tray w/o Burners - 336A (Sea Level)		010397F
		Burner Tray w/o Burners - 406A (Sea Level)		010398F
		Burner w/Gas Valve Nat. Millivolt - 206A		010399F
		Burner w/Gas Valve Nat. Millivolt - 266A		010400F
		Burner w/Gas Valve Nat. Millivolt - 336A		010401F
		Burner w/Gas Valve Nat. Millivolt - 406A		010402F
		Burner w/Gas Valve Nat. IID - 206A		010407F
		Burner w/Gas Valve Nat. IID - 266A		010408F
		Burner w/Gas Valve Nat. IID - 336A		010409F
		Burner w/Gas Valve Nat. IID - 406A		010410F
	2-B	Burner Spacer/Hold Down Kit - 206A		010415F
		Burner Spacer/Hold Down Kit - 266A		010416F
		Burner Spacer/Hold Down Kit - 336A		010417F
		Burner Spacer/Hold Down Kit - 406A		010418F
	3-B	Burner - 206A		301012/13
		Burner - 266A		301210/18
		Burner - 336A		301210/22
		Burner - 406A		301210/27
	4-B	Burner Orifice Nat. #49 - 206A		350078F/13
		Burner Orifice Nat. #49 - 266A		350078F/18
		Burner Orifice Nat. #49 - 336A		350078F/22
		Burner Orifice Nat. #49 - 406A		350078F27
	5-B	Burner Tray w/o Manifold w/o Burners - 206A		010421F
		Burner Tray w/o Manifold w/o Burners - 266A		010422F
		Burner Tray w/o Manifold w/o Burners - 336A		010423F
		Burner Tray w/o Manifold w/o Burners - 406A		010424F
	C	CONTROLS		
012-6725	1-C	Thermostat Auto Reset - 135 Degree Surface Mount		006725F
012-6892	2-C	AGS 135 Degree (Auto Gas Shut-Off) - Red Epoxy		600892B
012-6893	3-C	High Limit 140 Degree - Black Epoxy		600893B
	4-C	P.C. Board/Control IID Units		010253F
012-6346	5-C	Thermostat Control MV Mechanical Units		003346F
	6-C	Temperature Sensor IID Units		009577F

Sierra Vista
4711 S Highway 92
1-800-559-9291 Phone
520-458-9293 Fax



COMMERCIAL POOL CARE DIVISION

Northwest
6320 N Oracle Rd
520-797-2299 Phone
520-797-9293 Fax

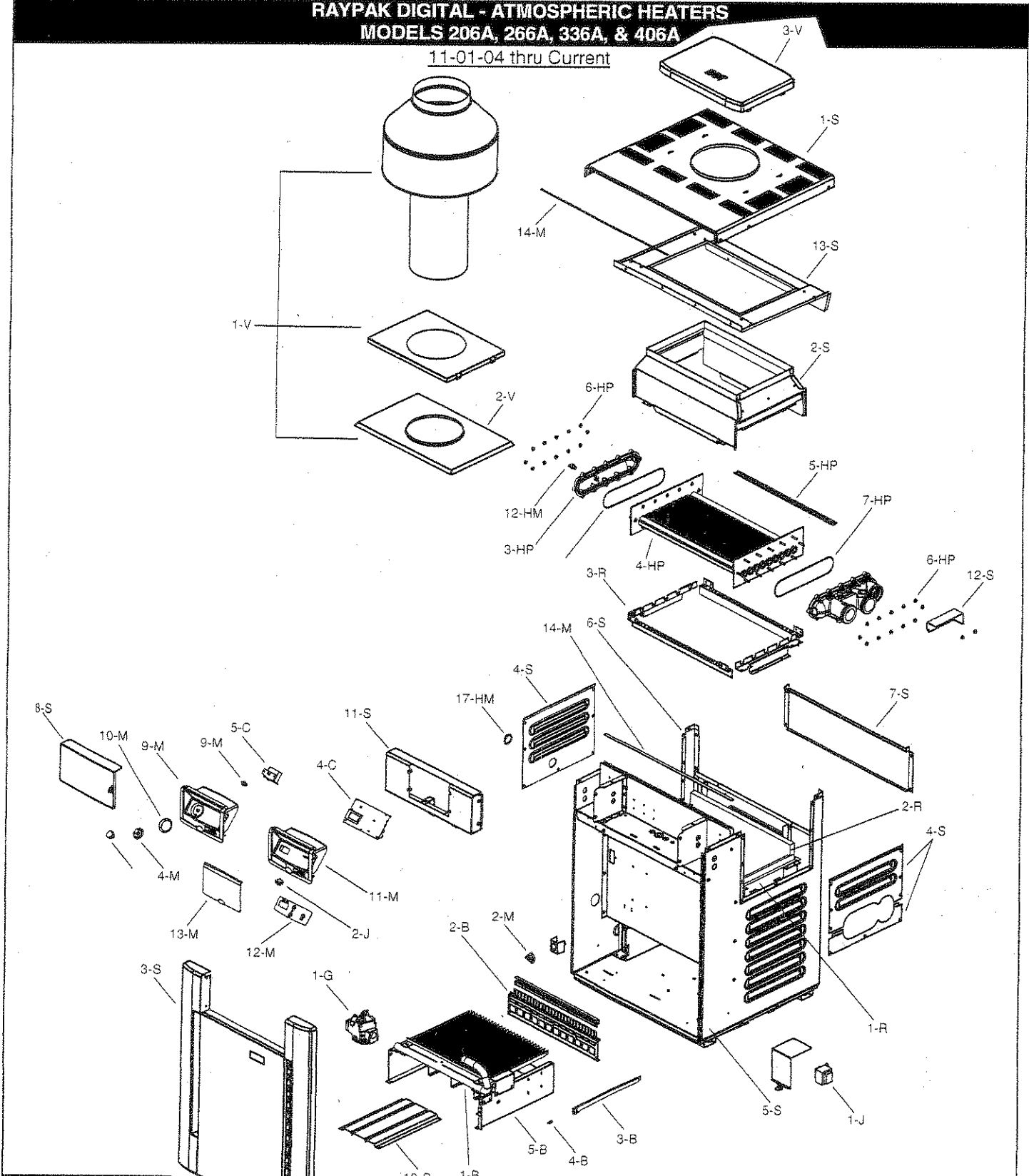
Central
2512 N Campbell Ave
520-795-8240 Phone
520-327-1142 Fax

Main Office/Eastside
7960 E 22nd St
520-886-1211 Phone
520-886-6364 Fax

Northeast
9155 E Tanque Verde Rd
520-749-9155 Phone
520-760-0035 Fax

RAYPAK DIGITAL - ATMOSPHERIC HEATERS
MODELS 206A, 266A, 336A, & 406A

11-01-04 thru Current



Sierra Vista
 4711 S Highway 92
 1-800-559-9291 Phone
 520-458-9293 Fax



Northwest
 6320 N Oracle Rd
 520-797-2299 Phone
 520-797-9293 Fax

COMMERCIAL POOL CARE DIVISION

Central
 2512 N Campbell Ave
 520-795-8240 Phone
 520-327-1142 Fax

Main Office/Eastside
 7960 E 22nd St
 520-886-1211 Phone
 520-886-6364 Fax

Northeast
 9155 E Tanque Verde Rd
 520-749-9155 Phone
 520-760-0035 Fax

PATIO'S		RAYPAK DIGITAL - ATMOSPHERIC HEATERS		MANUFACTURER
NUMBER	ITEM KEY	MODELS 206A, 266A, 336A, & 406A		NUMBER
<u>11-01-04 thru Current</u>				
<u>GAS VALVES</u>				
SP1-5882 012-6900	<u>G</u> 1-G	Combination Valve - Nat. Millivolt Combination Valve - Nat. IID		003898F 003900F
<u>HEAT EXCHANGER - POLYMER</u>				
012-6828 012-6706 012-6707	<u>HP</u> 1-HP 2-HP 3-HP 4-HP 5-HP	Heat Exchanger Assembly - Copper - 206A Heat Exchanger Assembly - Copper - 266A Heat Exchanger Assembly - Copper - 336A Heat Exchanger Assembly - Copper - 406A Inlet/ Outlet Header Complete (Polymer) Inlet/ Outlet Header (Includes 6-HP) Return Header (Includes 6-HP) Tube Bundle - Copper - 206A ** Tube Bundle - Copper - 266A ** Tube Bundle - Copper - 336A ** Tube Bundle - Copper - 406A ** Baffle - 206A Baffle - 266A Baffle - 336A Baffle - 406A		010043F 010044F 010045F 010046F 006727F 006706F 006707F 010059F 010060F 010061F 010062F 010038F 005261F 010040F 010041F
012-6713 012-6714	6-HP 7-HP 8-HP	Flange Nut Kit (Req. 12ea. In/Out Header - 12ea. Return Header) O-Ring Gasket (Req. 1 for each Header) Sensor Adapter - Digital Electronic Well Sensor - Millivolt		008259F 006713F 006714F 006805F
012-6715	9-HP 10-HP 11-HP 12-HP	Bypass Kit Bypass Valve ** Bypass Dam/Shaft Bypass Spring (All Sizes) **		006715F 006716F 006717F 006718F
012-6719 012-6720 012-6721	13-HP 14-HP 15-HP 16-HP	Unitherm Governor ** Unitherm Governor Plug Drain Plug Inlet/Outlet Header Dam		006719F 006720F 006721F 006722F
012-6723 012-6724	17-HP 18-HP 19-HP	2" PVC Connector and Nuts (Req. 2ea.) Connector O-Ring (Req. 2ea.) Stainless Steel Baffle		006723F 006724F 006826F
<u>MISCELLANOUS COMPONENTS</u>				
012-6237	<u>M</u> 1-M 2-M 3-M 4-M	Pressure Switch, 1.75 PSI Pressure Switch, 11 PSI Thermostat Knob Thermostat Shaft - Millivolt Knobstop		006737F 009133F 009499F 800307 006886F

Sierra Vista
4711 S Highway 92
1-800-559-9291 Phone
520-458-9293 Fax



COMMERCIAL POOL CARE DIVISION

Northwest
6320 N Oracle Rd
520-797-2299 Phone
520-797-9293 Fax

Central
2512 N Campbell Ave
520-795-8240 Phone
520-327-1142 Fax

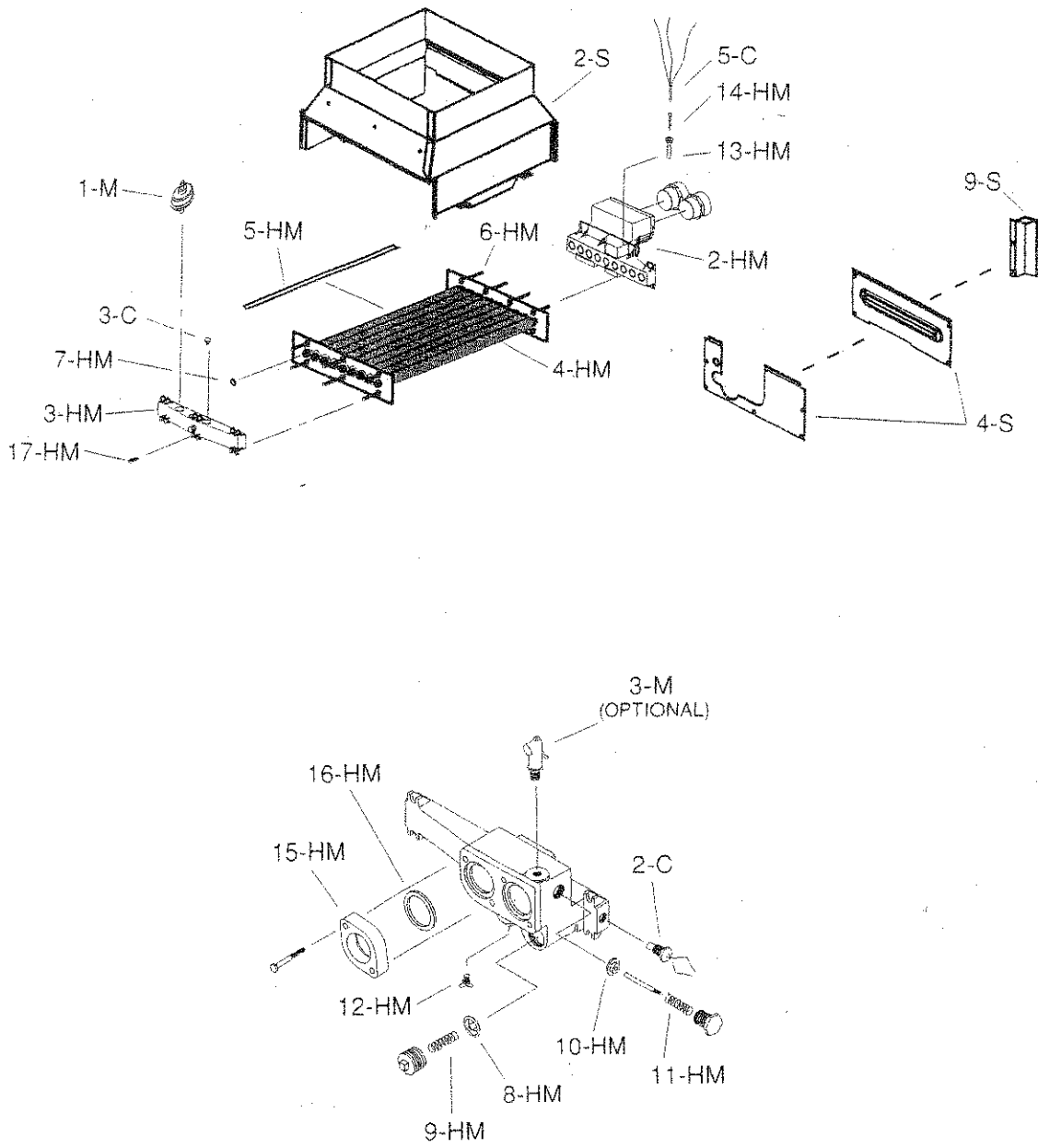
Main Office/Eastside
7960 E 22nd St
520-886-1211 Phone
520-886-6364 Fax

Northeast
9155 E Tanque Verde Rd
520-749-9155 Phone
520-760-0035 Fax

RAYPAK DIGITAL - ATMOSPHERIC HEATERS
MODELS 206A, 266A, 336A, & 406A

11-01-04 thru Current

UNITS WITH ASME METAL HEADERS



Sierra Vista
 4711 S Highway 92
 1-800-559-9291 Phone
 520-458-9293 Fax



Northwest
 6320 N Oracle Rd
 520-797-2299 Phone
 520-797-9293 Fax

COMMERCIAL POOL CARE DIVISION

Central
 2512 N Campbell Ave
 520-795-8240 Phone
 520-327-1142 Fax

Main Office/Eastside
 7960 E 22nd St
 520-886-1211 Phone
 520-886-6364 Fax

Northeast
 9155 E Tanque Verde Rd
 520-749-9155 Phone
 520-760-0035 Fax

PATIO'S		RAYPAK DIGITAL - ATMOSPHERIC HEATERS		MANUFACTURER
NUMBER	ITEM KEY	MODELS 206A, 266A, 336A, & 406A		NUMBER
		11-01-04 thru Current		
	<u>HM</u>	<u>ASME HEAT EXCHANGERS - METAL</u>		
	1-HM	Heat Exchanger Assy. Copper ASME - 206A		010051F
		Heat Exchanger Assy. Copper ASME - 266A		006727F
		Heat Exchanger Assy. Copper ASME - 336A		010053F
		Heat Exchanger Assy. Copper ASME - 406A		010054F
		Heat Exchanger Assy. Cupro Nickel ASME - 206A		010360F
		Heat Exchanger Assy. Cupro Nickel ASME - 266A		010361F
		Heat Exchanger Assy. Cupro Nickel ASME - 336A		010362F
		Heat Exchanger Assy. Cupro Nickel ASME - 406A		010363F
	2-HM	Inlet/Outlet Header ASME - All Sizes		006730F
	3-HM	Return Header ASME - All Sizes		006731F
	4-HM	Tube Bundle Copper ASME - 206A		010055F
012-6733		Tube Bundle Copper ASME - 266A		006733F
		Tube Bundle Copper ASME - 336A		010057F
		Tube Bundle Copper ASME - 406A		010058F
		Tube Bundle Cupro Nickel ASME - 206A		010368F
		Tube Bundle Cupro Nickel ASME - 266A		010369F
		Tube Bundle Cupro Nickel ASME - 336A		010370F
		Tube Bundle Cupro Nickel ASME - 406A		010371F
	5-HM	Baffle - 206A (Req. 8ea.)		010038F
		Baffle - 266A (Req. 8ea.)		005261F
		Baffle - 336A (Req. 8ea.)		010040F
		Baffle - 406A (Req. 8ea.)		010041F
	6-HM	Stud Bolt Kit		007870F
012-6014	7-HM	Header Gasket (9)		800014B
012-6234	8-HM	Untherm Governor		062234B
	9-HM	Untherm Governor Retainer Spring		850254
012-6235	10-HM	Bypass Valve - All Sizes		062235B
SSC-0198	11-HM	Bypass Spring - All Sizes Included		850852
	12-HM	Drain Plug		500719
012-6765	13-HM	Well Sensor		003765F
	14-HM	Well Retaining Clip		300203
SP5-1179	15-HM	Inlet/Outlet Flange (Req. 2ea.)		003766F
012-6236	16-HM	Flange Gasket Connections 1-1/2"		062236B
012-6080		Flange Gasket Connections 2"		800080B
SP3-5612	17-HM	Rear Drain Plug & Cover		005264F
	<u>J</u>	<u>CONTROL BOX</u>		
SP6-2644	1-J	Transformer 120/240/24V		006736F
	2-J	Rocker Switch		009493F

Sierra Vista
 4711 S Highway 92
 1-800-559-9291 Phone
 520-458-9293 Fax



Northwest
 6320 N Oracle Rd
 520-797-2299 Phone
 520-797-9293 Fax

COMMERCIAL POOL CARE DIVISION

Central
 2512 N Campbell Ave
 520-795-8240 Phone
 520-327-1142 Fax

Main Office/Eastside
 7960 E 22nd St
 520-886-1211 Phone
 520-886-6364 Fax

Northeast
 9155 E Tanque Verde Rd
 520-749-9155 Phone
 520-760-0035 Fax

PATIO'S		RAYPAK DIGITAL - ATMOSPHERIC HEATERS		MANUFACTURER
NUMBER	ITEM KEY	MODELS 206A, 266A, 336A, & 406A		NUMBER
		11-01-04 thru Current		
	<u>P</u>	<u>PILOT</u>		
012-6020	1-P	Pilot Nat. - Millivolt		600525B
	2-P	Pilot Nat. & Pro. IID		002003F
	3-P	Pilot Orifice Nat. - Millivolt		003901F
	4-P	Pilot Orifice Nat. - IID .020		003903F
012-6019		Pilot Orifice Pro. - IID .012		004308F
	5-P	Pilot Generator - Millivolt		600019B
	6-P	Pilot Mounting Bracket - Millivolt		010352F
	7-P	Pilot Mounting Bracket - IID		306692
WPS-0290	8-P	Lighter Tube (Millivolt Units Only)		62996
WPS-0292	9-P	Pilot Tube		004078F
995-4571	10-P	IID Hi-Tension Wire w/Electrode		007864F
	11-P	Pilot Shield		010351F
	<u>R</u>	<u>REFRACTORY</u>		
	1-R	Refractory Common Lt. & Rt.		010088F
	2-R	Refractory Uncommon (Front & Rear) - 206A		010089F
		Refractory Uncommon (Front & Rear) - 266A		010090F
		Refractory Uncommon (Front & Rear) - 336A		010091F
		Refractory Uncommon (Front & Rear) - 406A		010092F
	3-R	Refractory Retainer Kit - 206A		010387F
		Refractory Retainer Kit - 266A		010388F
		Refractory Retainer Kit - 336A		010389F
		Refractory Retainer Kit - 406A		010390F
	<u>S</u>	<u>SHEETMETAL</u>		
	1-S	Jacket Top (Louvered) - 206A		010047F
		Jacket Top (Louvered) - 266A		010048F
		Jacket Top (Louvered) - 336A		010049F
		Jacket Top (Louvered) - 406A		010050F
	2-S	Flue Collector (Units w/Polymer Header) - 206A		010071F
		Flue Collector (Units w/Polymer Header) - 266A		010072F
		Flue Collector (Units w/Polymer Header) - 336A		010073F
		Flue Collector (Units w/Polymer Header) - 406A		010074F
		Flue Collector (Units w/Metal Header) - 206A		010075F
		Flue Collector (Units w/Metal Header) - 266A		010076F
		Flue Collector (Units w/Metal Header) - 336A		010077F
		Flue Collector (Units w/Metal Header) - 406A		010078F

Sierra Vista
 4711 S Highway 92
 1-800-559-9291 Phone
 520-458-9293 Fax



COMMERCIAL POOL CARE DIVISION

Northwest
 6320 N Oracle Rd
 520-797-2299 Phone
 520-797-9293 Fax

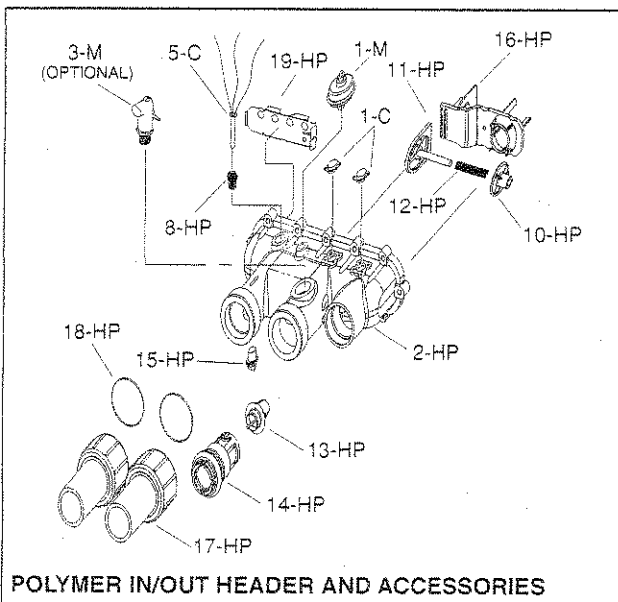
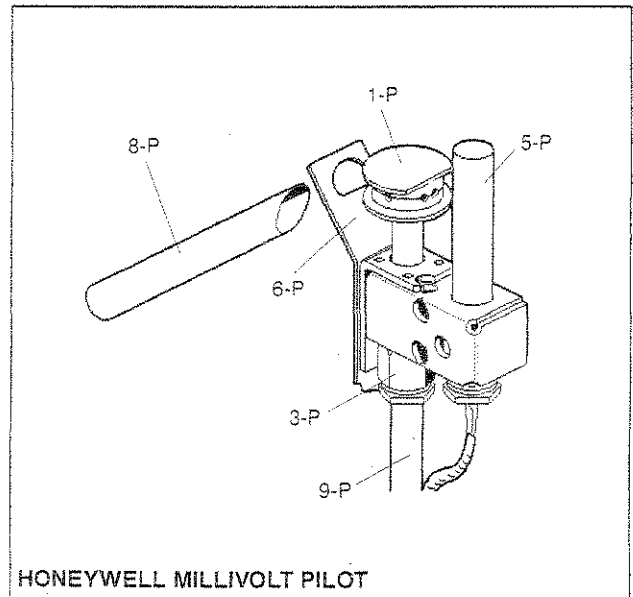
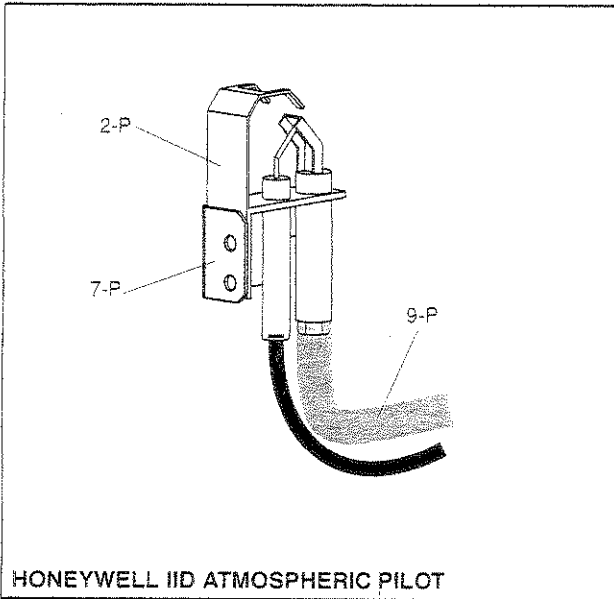
Central
 2512 N Campbell Ave
 520-795-8240 Phone
 520-327-1142 Fax

Main Office/Eastside
 7960 E 22nd St
 520-886-1211 Phone
 520-886-6364 Fax

Northeast
 9155 E Tanque Verde Rd
 520-749-9155 Phone
 520-760-0035 Fax

RAYPAK DIGITAL - ATMOSPHERIC HEATERS
 MODELS 206A, 266A, 336A, & 406A

11-01-04 thru Current



Sierra Vista
 4711 S Highway 92
 1-800-559-9291 Phone
 520-458-9293 Fax



COMMERCIAL POOL CARE DIVISION

Northwest
 6320 N Oracle Rd
 520-797-2299 Phone
 520-797-9293 Fax

Central
 2512 N Campbell Ave
 520-795-8240 Phone
 520-327-1142 Fax

Main Office/Eastside
 7960 E 22nd St
 520-886-1211 Phone
 520-886-6364 Fax

Northeast
 9155 E Tanque Verde Rd
 520-749-9155 Phone
 520-760-0035 Fax

PATIO'S NUMBER	ITEM KEY	RAYPAK DIGITAL - ATMOSPHERIC HEATERS MODELS 206A, 266A, 336A, & 406A	MANUFACTURER NUMBER
11-01-04 thru Current <u>SHEETMETAL CONTINUED</u>			
<u>DOOR ASSEMBLY:</u>			
	3-S	Raypak - 206A	010378F
		Raypak - 266A	010379F
		Raypak - 336A	010380F
		Raypak - 406A	010381F
		Rheem - 206A	010382F
		Rheem - 266A	010383F
		Rheem - 336A	010384F
		Rheem - 406A	010385F
		Ruud - 206A	010382F
		Ruud - 266A	010383F
		Ruud - 336A	010384F
		Ruud - 406A	010385F
	4-S	Access Panel Set - (3 Pcs Units w/Polymer Header)	010311F
		Access Panel Set - (3 Pcs Units w/Metal Header)	010312F
	5-S	Jacket Side Panel Right	010376F
	6-S	Jacket Side Panel Left	010377F
	7-S	Jacket Rear Panel - 206A	010372F
		Jacket Rear Panel - 266A	010373F
		Jacket Rear Panel - 336A	010374F
		Jacket Rear Panel - 406A	010375F
	8-S	Poolstat Cover/Lock	9505
	9-S	High Limit Cover	010319F
	10-S	Base Heat Shield	010320F
	11-S	Up Front Control Panel - 206A	010321F
		Up Front Control Panel - 266A	010322F
		Up Front Control Panel - 336A	010323F
		Up Front Control Panel - 406A	010324F
	12-S	High Limit Shield	010342F
	13-S	Weather Shield - 206A	010325F
		Weather Shield - 266A	010326F
		Weather Shield - 336A	010327F
		Weather Shield - 406A	010328F
<u>VENTING</u>			
	1-V	Indoor Stack Kit (Includes inner adapter panel) - 206A	9838
		Indoor Stack Kit (Includes inner adapter panel) - 266A	9839
		Indoor Stack Kit (Includes inner adapter panel) - 336A	9840
		Indoor Stack Kit (Includes inner adapter panel) - 406A	9841
100-0583			

Sierra Vista
 4711 S Highway 92
 1-800-559-9291 Phone
 520-458-9293 Fax



COMMERCIAL POOL CARE DIVISION

Northwest
 6320 N Oracle Rd
 520-797-2299 Phone
 520-797-9293 Fax

Central
 2512 N Campbell Ave
 520-795-8240 Phone
 520-327-1142 Fax

Main Office/Eastside
 7960 E 22nd St
 520-886-1211 Phone
 520-886-6364 Fax

Northeast
 9155 E Tanque Verde Rd
 520-749-9155 Phone
 520-760-0035 Fax

PATIO'S NUMBER	ITEM KEY	RAYPAK DIGITAL - ATMOSPHERIC HEATERS MODELS 206A, 266A, 336A, & 406A	MANUFACTURER NUMBER
		<u>11-01-04 thru Current</u> <u>VENTING CONTINUED</u>	
	2-V	Stack Adapter - 206A	010330F
		Stack Adapter - 266A	010331F
		Stack Adapter - 336A	010332F
		Stack Adapter - 406A	010333F
	3-V	"Pagoda" Top - 206A	10334
		"Pagoda" Top - 266A	10335
		"Pagoda" Top - 336A	10336
		"Pagoda" Top - 406A	10337
		<u>ATMOSPHERIC CONVERSION KITS</u>	
		Nat. to Pro. Millivolt Pilot * - 206A & 266A	004690B
		Nat. to Pro. Millivolt Pilot * - 366A & 406A	004692B
		Pro. to Nat. Millivolt Pilot * - 206A & 266A	010419F
		Pro. to Nat. Millivolt Pilot * - 366A & 406A	010420F
		<u>* Gas conversions are to be done only by a qualified agency.</u>	
		<p>** WARNING: The Hydraulic conditions of water chemistry that caused the tube bundle to fail have very likely also damaged the bypass valve & the Unitherm Governor. We recommend you replace the Unitherm Governor and inspect the bypass assembly. Failure to do so could cause premature failure of the replacement tube bundle!</p>	