

Sierra Vista
 4711 S Highway 92
 1-800-559-9291 Phone
 520-458-9293 Fax



COMMERCIAL POOL CARE DIVISION

Northwest
 6320 N Oracle Rd
 520-797-2299 Phone
 520-797-9293 Fax

Central
 2512 N Campbell Ave
 520-795-8240 Phone
 520-327-1142 Fax

Main Office/Eastside
 7960 E 22nd St
 520-886-1211 Phone
 520-886-6364 Fax

Northeast
 9155 E Tanque Verde Rd
 520-749-9155 Phone
 520-760-0035 Fax

PATIO'S NUMBER	ITEM KEY	STA-RITE MAX-E-THERM MODELS 200NA, 300NA, & 400NA	MANUFACTURER NUMBER
<u>ELECTRICAL SYSTEM</u>			
012-4019	.	Display Cover Retainer Cap Kit (Incl. Key #1)	77707-0009
	1	Display Cover Retainer Cap	42001-0009
	.	CPSC Warning Label	32165-4084
012-4018	2	Heater Display Cover	42001-0008S
	3	Igniter Bracket	42001-0030S
012-4054	.	Igniter/Igniter Gasket Kit (Incl. #s 4 and 5)	77707-0054
012-4056	4	Igniter**	42001-0054
	5	Igniter Gasket	42001-0066S
	6	Manifold Switch Cover (Requires 2)	42001-0007S
012-4064	7	Automatic Gas Shutoff Switch (AGS)	42000-064S
	8	3/4" Hex Head Pipe Plug	WC78-38AT
012-4063	9	High Limit Switch	42001-0063S
012-4053	10	Thermister	42001-0053S
012-4056	11	Terminal Board	42001-0056S
012-4055	12	Fireman's Switch Fuse, (1.25 Amp, 1 1/4")	32850-0099
012-4052	13	Ignition Control Module	42001-0052S
012-4057	14	Transformer	42001-0057S
	15	Air Flow Switch	42001-0061S
012-4096	16	Control Board Kit	42001-0096S
	.	#6 - 19x5/16" Phillips Panhead Screws (Req. 4)	37337-0092
012-4058	.	Heater Wiring Harness	42001-0058S
	.	Junction Box Cover Kit (Incl. #17)*	77707-0022
	17	Junction Box Cover	42001-0022
	.	Junction Box Wiring Decal	32165-4081
012-0004	.	Control Board/Membrane Panel Kit (#s 18 & 19)	77707-0004
	18	Control Board Enclosure	42001-0004
	19	Membrane Pad**	42001-0055
012-4224	20	Stack Flue Sensor	42002-0024S

Sierra Vista
4711 S Highway 92
1-800-559-9291 Phone
520-458-9293 Fax

PATIO
POOLS & SPAS
COMMERCIAL POOL CARE DIVISION

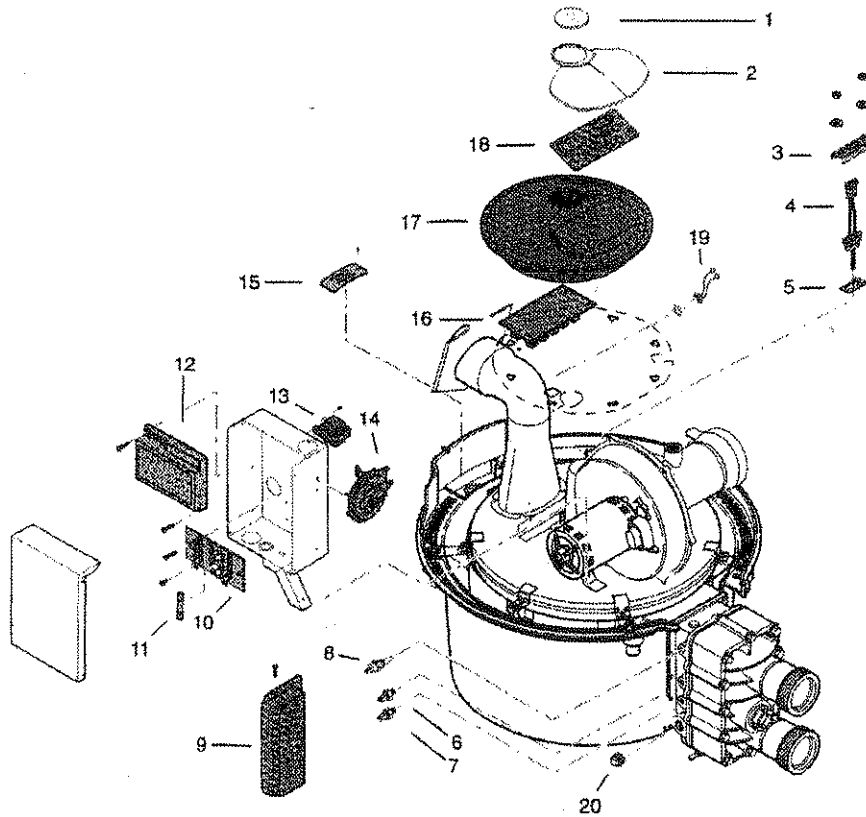
Northwest
6320 N Oracle Rd
520-797-2299 Phone
520-797-9293 Fax

Central
2512 N Campbell Ave
520-795-8240 Phone
520-327-1142 Fax

Main Office/Eastside
7960 E 22nd St
520-886-1211 Phone
520-886-6364 Fax

Northeast
9155 E Tanque Verde Rd
520-749-9155 Phone
520-760-0035 Fax

**STA-RITE MAX-E-THERM 200NA, 300NA, & 400NA
ELECTRICAL SYSTEM**



Sierra Vista
4711 S Highway 92
1-800-559-9291 Phone
520-458-9293 Fax



COMMERCIAL POOL CARE DIVISION

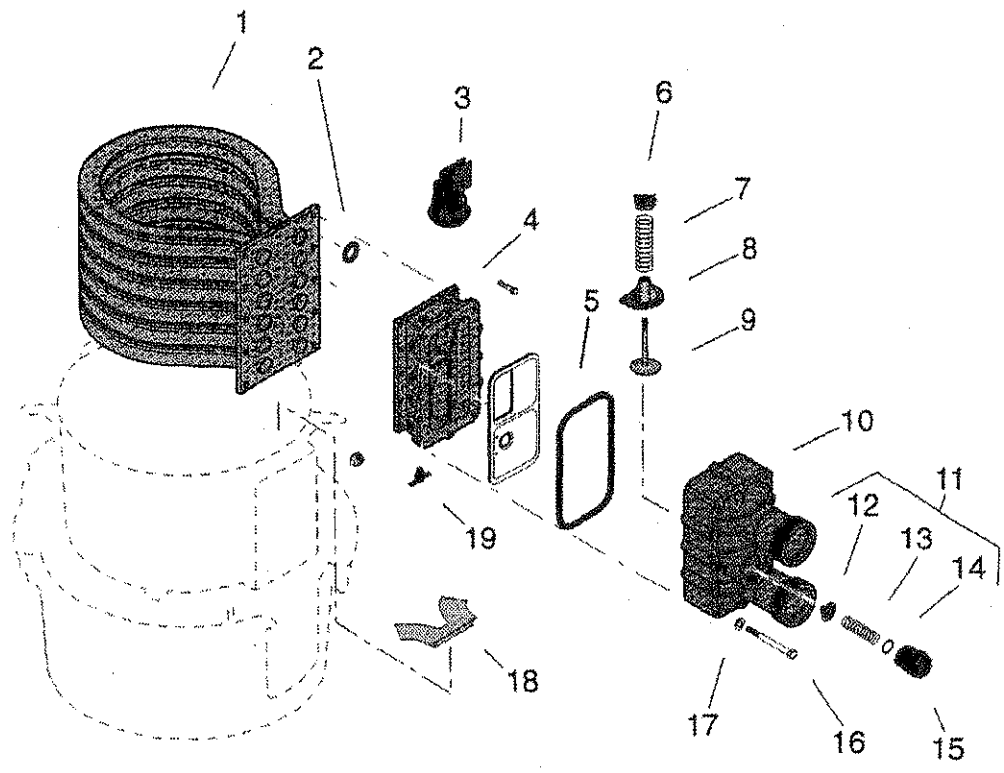
Northwest
6320 N Oracle Rd
520-797-2299 Phone
520-797-9293 Fax

Central
2512 N Campbell Ave
520-795-8240 Phone
520-327-1142 Fax

Main Office/Eastside
7960 E 22nd St
520-886-1211 Phone
520-886-6364 Fax

Northeast
9155 E Tanque Verde Rd
520-749-9155 Phone
520-760-0035 Fax

STA-RITE MAX-E-THERM 200NA, 300NA, & 400NA
WATER SYSTEM



Sierra Vista
4711 S Highway 92
1-800-559-9291 Phone
520-458-9293 Fax



COMMERCIAL POOL CARE DIVISION

Northwest
6320 N Oracle Rd
520-797-2299 Phone
520-797-9293 Fax

Central
2512 N Campbell Ave
520-795-8240 Phone
520-327-1142 Fax

Main Office/Eastside
7960 E 22nd St
520-886-1211 Phone
520-886-6364 Fax

Northeast
9155 E Tanque Verde Rd
520-749-9155 Phone
520-760-0035 Fax

PATIO'S NUMBER	ITEM KEY	STA-RITE MAX-E-THERM MODELS 200NA, 300NA, & 400NA <u>BURNER SYSTEM</u>	MANUFACTURER NUMBER
012-4051	1	Combination Gas Control Valve Kit	42001-0051S
	2	3/4" Union	38404-4097S
	.	Gas Orifice Kit - NG (Incl. #s 3 & 4)t	77707-0331
	3	Gas Orifice - NG*	42001-0331
	4	Gas Orifice O-Ring	U9-370
012-2361	.	Gas Orifice Kit - LPG (Incl. #s 3 & 4)t	77707-0361
	3	Gas Orifice - LPG*	42001-0361
	4	Gas Orifice O-Ring	U9-370
012-4361	.	NG to LPG Conversion Kit (Incl. #s 3 & 4)t	77707-1361
	3	Gas Orifice - NG*	42001-0361
	4	Gas Orifice O-Ring	U9-370
	.	Conversion Instructions, NG to LPG	S402
	.	NG to LPG Conversion Decal*	32165-4082
	.	LPG to NG Conversion Kit (Incl. #s 3 & 4)t	77707-1331
	3	Gas Orifice - LPG*	42001-0331
	4	Gas Orifice O-Ring	U9-370
	.	Conversion Instructions, LPG to NG*	S403
	.	LPG to NG Conversion Decal*	32165-4083
012-0206	5	Gas Piping Clamp Kit	31786-4019S
	6	Air Blower Kit	42001-0206S
	7	Endcap/Air Orifice - Inlet Mixing Tube	77707-0091
SPS-4615	8	Endcap Mixing Tube Grill	42001-0094S
	.	Blower/Adapter Plate Gasket Kit (Includes #s 9, 10, 11, 13)	77707-0011
012-4011	9	Blower/Adapter Plate Gasket*	42001-0067
	10	Blower Adapter Plate	42001-0090
012-4202	.	Flameholder Kit (Incl. #s 11, 12, 13, 14, and Flameholder Insert)	
	11	Flameholder/Adapter Plate Gasket*	42001-0084
	12	Flameholder Assembly*	42001-0202
	13	Flameholder/Combustion Chamber Gasket	42001-0065
	14	Flameholder Insulation Cap	42001-0075
	.	Condensate Evaporator	42001-0031
	15	Upper RH Heater Enclosure Kit**	77707-0002
	16	Lower Enclosure	42001-0001S
	.	Upper Enclosure Gasket	33457-1051S
	17	Upper LH Heater Enclosure Kit - NG	77707-3200N
	17	Upper LH Heater Enclosure Kit - LPG	77707-3200L
	18	Upper Enclosure Fastener	77707-0007
	18	#12-11 Washer-Head Self-Tapping Screw (4) tt	37336-4096
	19	3/8" Flat Washer (Req. 4)	U43-62SS
	20	3/8" Lock Washer (Req. 4)	U43-12SS
	21	3/8" Hex Nut (Req. 4)	U36-38SS
012-4008	.	Insulation Kit (Incl. #s 22, 23, 24, 25, and Condensate Evaporator.	77707-0008

Sierra Vista
4711 S Highway 92
1-800-559-9291 Phone
520-458-9293 Fax



COMMERCIAL POOL CARE DIVISION

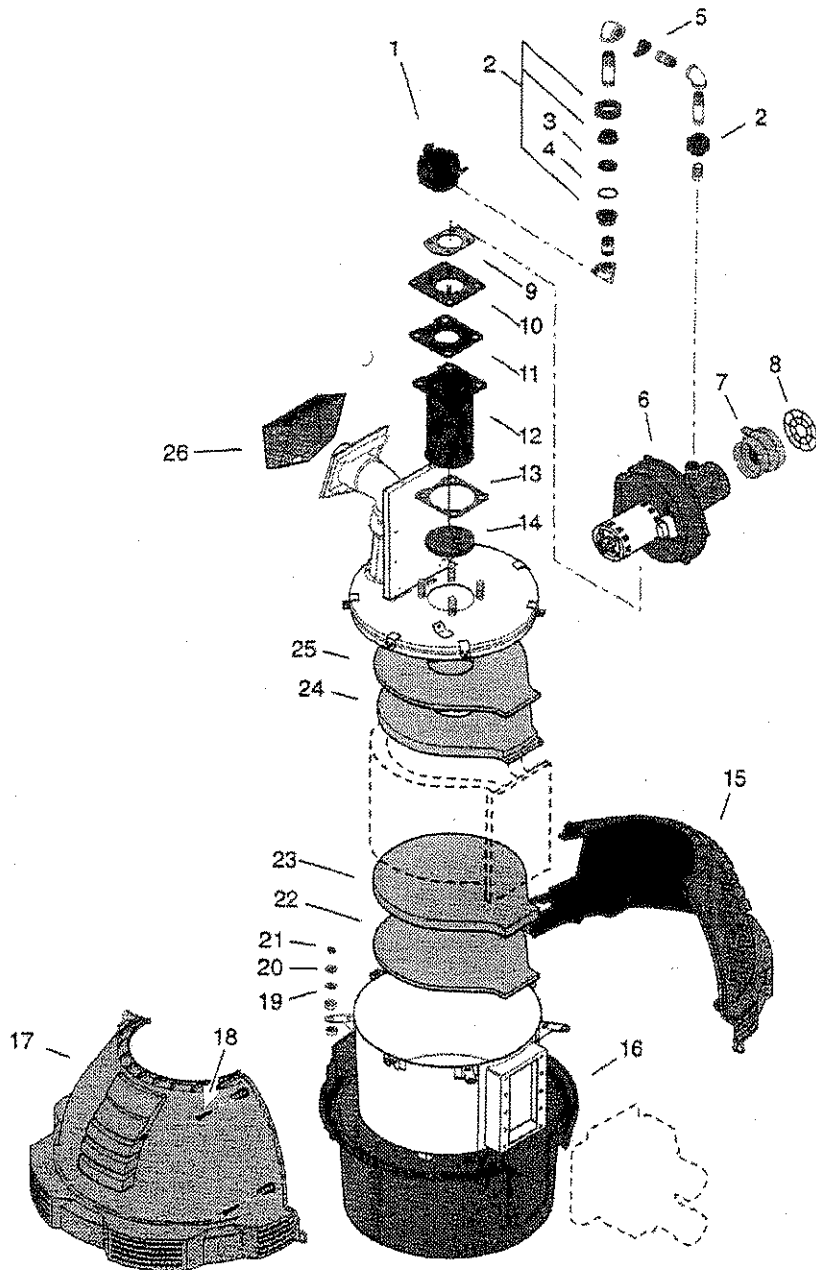
Northwest
6320 N Oracle Rd
520-797-2299 Phone
520-797-9293 Fax

Central
2512 N Campbell Ave
520-795-8240 Phone
520-327-1142 Fax

Main Office/Eastside
7960 E 22nd St
520-886-1211 Phone
520-886-6364 Fax

Northeast
9155 E Tanque Verde Rd
520-749-9155 Phone
520-760-0035 Fax

STA-RITE MAX-E-THERM 200NA, 300NA, & 400NA
BURNER SYSTEM



Sierra Vista
 4711 S Highway 92
 1-800-559-9291 Phone
 520-458-9293 Fax



Northwest
 6320 N Oracle Rd
 520-797-2299 Phone
 520-797-9293 Fax

COMMERCIAL POOL CARE DIVISION

Central
 2512 N Campbell Ave
 520-795-8240 Phone
 520-327-1142 Fax

Main Office/Eastside
 7960 E 22nd St
 520-886-1211 Phone
 520-886-6364 Fax

Northeast
 9155 E Tanque Verde Rd
 520-749-9155 Phone
 520-760-0035 Fax

PATIO'S NUMBER	ITEM KEY	STA-RITE MAX-E-THERM MODELS 200NA, 300NA, & 400NA	MANUFACTURER NUMBER
012-4205 SPS-3814	22	1/2" Insulation Blanket*	42001-0073
	23	1" Insulation*	42001-0072
	24	1" Top Insulation*	42001-0070
	25	1/2" Insulation Blanket*	42001-0071
	.	Lower Enclosure Insulation	42001-0074S
	26	Metal Vent Cover	42002-0005S
	.	Metal Exhaust Elbow Kit	42001-0209S
	.	One Piece Metal Elbow/Cover Assembly	42001-0241S
<p style="text-align: center;">* Not Available Separately. ** Kit Parts Not Available Separately. . Not Illustrated. # Uses 2. t Not Included with Heater. Order Separately. tt For Heaters Built January 98 - Current. \$\$ For Heaters Built April 97 - January 98.</p>			