

Sierra Vista
 4711 S Highway 92
 1-800-559-9291 Phone
 520-458-9293 Fax



Northwest
 6320 N Oracle Rd
 520-797-2299 Phone
 520-797-9293 Fax

COMMERCIAL POOL CARE DIVISION

Central
 2512 N Campbell Ave
 520-795-8240 Phone
 520-327-1142 Fax

Main Office/Eastside
 7960 E 22nd St
 520-886-1211 Phone
 520-886-6364 Fax

Northeast
 9155 E Tanque Verde Rd
 520-749-9155 Phone
 520-760-0035 Fax

PATIO'S NUMBER	ITEM KEY	TELEDYNE LAARS SERIES I & II MODELS EPG, EPM, EPS, ESC, EPSII, ESG	MANUFACTURER NUMBER
<u>TEMPERATURE CONTROL ASSEMBLY</u>			
012-0401	1	Mechanical Thermostat, Incl. Key 12 & 13	R0318800
	2	Temp Control Bezel	50068900
	3A	Metal Plate Only	10456300
	3B	Temp, Control Label	H0105300
	4	On/Off Rocker Switch	R0099800
0102-0516	5	Thermostat Knob	R0010700
012-0520	6A	Temp Lock EPG; ESG	10456500
	6B	Temp Lock EPC, EPM, EPS, ESC, EPCII	10583100
012-0517	7A	Dual Temp. Control-EPS, EPCII, ESC Includes Complete Wiring Harness	R0011700
	7B	Dual Temp. Control-EPM Includes Complete Wiring Harness	R0015600
012-0516	5	Thermostat Knob	R0010700
	8	Knob	R0099900
	9	Electronic Thermostat, See Notes 1 & 2	
012-0406	10	Temp Sensor Only - Electronic EPS, EPCII, ESC, EPM,	R0011800
	11	Screw	F0009100
	12	O-Ring	E0116400
012-0506	13	Sleeve	10444900
012-0403	14	Retainer	10447300
	Note 1:	The original mechanical thermostat may be replaced by this electronic control on the EPG & ESG. The EPC must use the original mechanical type unit.	
	Note 2:	The new Laars number for the mechanical thermostat R0318800.	
	Note 3:	These controls are very similar, for identification purposes, note the number & placement of spade connectors on the circuit board.	
<u>HEAT EXCHANGER DIMENSIONS</u>			
Number of Tubes is 9. Length is from outside to outside of end plates!!			
	MODEL	TUBE LENGTH	
	125	9 1/2"	
	175	12 3/4"	
	250	17 1/2"	
	325	21 1/2"	
	400	25 1/2"	

Sierra Vista
 4711 S Highway 92
 1-800-559-9291 Phone
 520-458-9293 Fax



COMMERCIAL POOL CARE DIVISION

Northwest
 6320 N Oracle Rd
 520-797-2299 Phone
 520-797-9293 Fax

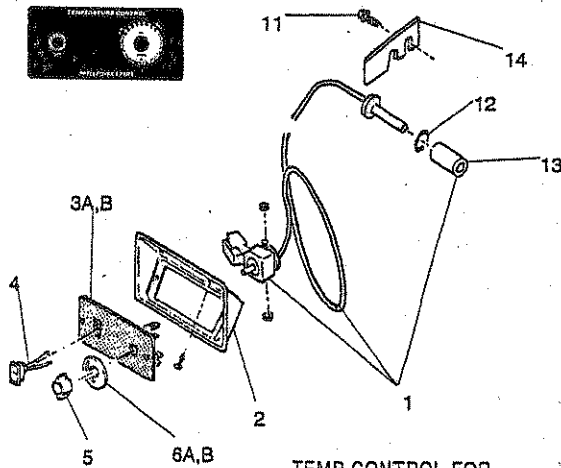
Central
 2512 N Campbell Ave
 520-795-8240 Phone
 520-327-1142 Fax

Main Office/Eastside
 7960 E 22nd St
 520-886-1211 Phone
 520-886-6364 Fax

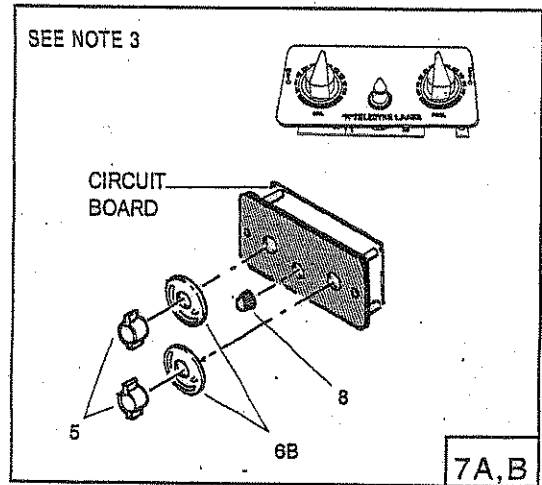
Northeast
 9155 E Tanque Verde Rd
 520-749-9155 Phone
 520-760-0035 Fax

TELEDYNE LAARS SERIES I & II
 MODELS EPG, EPM, EPS, ESC, EPSII, & ESG

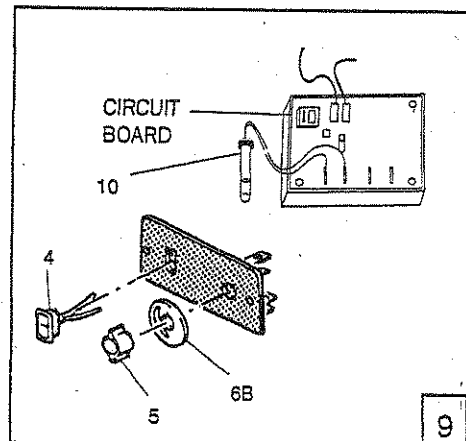
TEMPERATURE CONTROL ASSEMBLY



TEMP CONTROL FOR
 MODELS EPG; EPC; ESG



TEMP CONTROL FOR MODELS EPS; EPCII; EPC (6203-071B)
 AND
 MODEL EPM (6203-071D), SEE NOTE 3



Sierra Vista
4711 S Highway 92
1-800-559-9291 Phone
520-458-9293 Fax



Northwest
6320 N Oracle Rd
520-797-2299 Phone
520-797-9293 Fax

COMMERCIAL POOL CARE DIVISION

Central
2512 N Campbell Ave
520-795-8240 Phone
520-327-1142 Fax

Main Office/Eastside
7960 E 22nd St
520-886-1211 Phone
520-886-6364 Fax

Northeast
9155 E Tanque Verde Rd
520-749-9155 Phone
520-760-0035 Fax

PATIO'S NUMBER	ITEM KEY	TELEDYNE LAARS SERIES I & II MODELS EPG, EPM, EPS, ESC, EPSII, ESG	MANUFACTURER NUMBER
		<u>BURNER TRAY ASSEMBLY</u>	
		Burner Tray, 125 NAT., Complete	10578001
		Burner Tray, 175 NAT., Complete	10578002
		Burner Tray, 250 NAT., Complete	10578003
		Burner Tray, 325 NAT., Complete	10578004
		Burner Tray, 400 NAT., Complete	10578005
		Burner Tray Complete, LP 125	10578101
		Burner Tray Complete, LP 175	10578102
012-0179		Burner Tray Complete, LP 250	10578103
		Burner Tray Complete, LP 325	10578104
012-0199		Burner Tray Complete, LP 400	10578105
		<u>Series I EPG & EPM Burner Trays</u>	
	1E	Burner Tray Weldment - (125)	R0099501
	1A	Burner Tray Weldment - (175)	R0099502
	1B	Burner Tray Weldment - (250)	R0099503
	2	Bracket	R0096100
	3	Mounting Bracket Assy., ESC & ESG	10419200
012-0542	5	Orifice, Nat. Gas	L0032200
		Orifice, Pro. Gas	L0032900
012-0285	6	Gas Valve, NAT., Rob't Shaw - EPG (Replaces ITT valves on heater w/ Serial # lower than 8744309)	R0027300
	6A	Gas Valve, Replaced by 6K	OBSOLETE
012-0964	6B	Gas Valve, ESG NAT>	R0096400
	6C	Gas Valve, ESG PROP.	R0096400
012-1392	6D	Gas Valve EPS, EPC, ESC NAT., 125 - 175	R0039200
	6E	Gas Valve EPS, EPC, ESC NAT., 250, 325, 400	R0038400
	6F	NLA Gas Valve	V0059100
012-0292	6G	Gas Valve, ESC NAT.250, 325, 400 Series II	R0099400
	6H	Gas Valve, ESC Prop., Series II	R0095900
012-1282	6I	Gas Valve, (ALL) Propane	R0028200
012-0188	7A	Burner ECS, EPG, ESG	L0005500
100-0087	7B	Burner, Main Main EPC, Epm, ESG	L0052300
	8A	High Voltage Lead Assembly, ESG	R0098900
	8B	High Voltage Lead Assembly, EPS, EPC	10449513
012-0519	8C	High Voltage Lead Assembly, EPC Propane , also EPS, EPC w/H.W. Ignition Control	R0012100
	8D	High Voltage Lead Assembly ESC	R0099000
012-0596	9A	Pilot Tube ESC	R0037000
	9B	Pilot Tube ESG	R0096300
012-0596	9C	Pilot Tubing, EPS, EPC, EPG, EPM	R0037000

Sierra Vista
4711 S Highway 92
1-800-559-9291 Phone
520-458-9293 Fax



COMMERCIAL POOL CARE DIVISION

Northwest
6320 N Oracle Rd
520-797-2299 Phone
520-797-9293 Fax

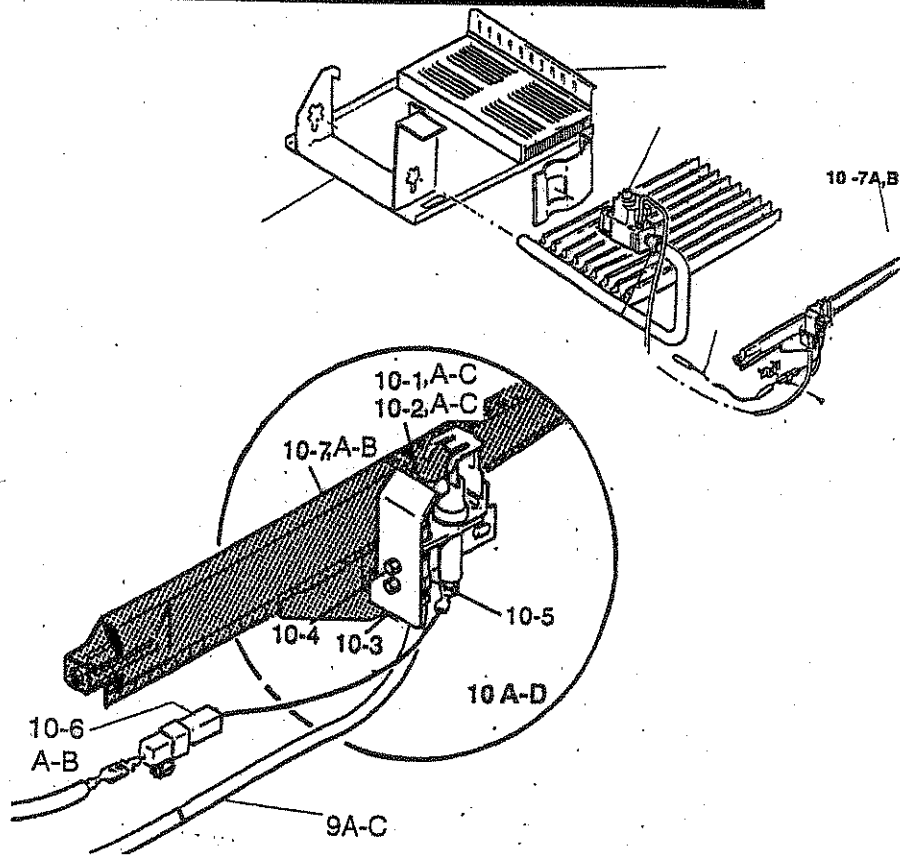
Central
2512 N Campbell Ave
520-795-8240 Phone
520-327-1142 Fax

Main Office/Eastside
7960 E 22nd St
520-886-1211 Phone
520-886-6364 Fax

Northeast
9155 E Tanque Verde Rd
520-749-9155 Phone
520-760-0035 Fax

TELEDYNE LAARS SERIES I & II
MODELS EPG, EPM, EPS, ESC, EPSII, & ESG

BURNER TRAY ASSEMBLY



Sierra Vista
 4711 S Highway 92
 1-800-559-9291 Phone
 520-458-9293 Fax



Northwest
 6320 N Oracle Rd
 520-797-2299 Phone
 520-797-9293 Fax

COMMERCIAL POOL CARE DIVISION

Central
 2512 N Campbell Ave
 520-795-8240 Phone
 520-327-1142 Fax

Main Office/Eastside
 7960 E 22nd St
 520-886-1211 Phone
 520-886-6364 Fax

Northeast
 9155 E Tanque Verde Rd
 520-749-9155 Phone
 520-760-0035 Fax

PATIO'S NUMBER	ITEM KEY	TELEDYNE LAARS SERIES I & II MODELS EPG, EPM, EPS, ESC, EPSII, ESG	MANUFACTURER NUMBER
<u>BURNER TRAY ASSEMBLY CONTINUED</u>			
	10A	Pilot, Main Assy, ESG Propane	R0099200
012-0960	10B	Pilot, Main Assy, ESG Natural	R0096000
012-0965	10C	Pilot, Main Assy, ECS Propane	R0096500
SP1-5818	10D	Pilot, Main Assy, ESG Natural	R0099100
012-0967	10-1A	Pilot Burner, ESG Natural	R0096700
012-0514	10-1B	Pilot Burner, EPS, EPC Natural	R0061600
012-1275	10-1C	Pilot Generator Assy. EPG, EPM Nat. Gas	R0027500
012-1276	10-2A	Pilot Generator Assy. EPG, EPM Prop. Gas	R0027600
012-0197	10-2C	Pilot Burner, EPC Propane	W0038300
	10-2D	Pilot Burner, ESG Propane	R0096600
	10-2E	Pilot Burner, ESC Propane	R0095800
	*10-3	Shield, Pilot Burner (Electronic) Adapter, Pilot Bracket (MV)	10461100 10576400
	*10-4	Screw (2)	F0020700
	*10-5	Screw, Pilot Bracket	F0031300
012-0325		Pilot Generator	W0036901
	10-6A	Ceramic Insulator Assy., ESG (Not sold as part of main assembly)	R0099300
	10-6B	Ceramic Insulator Assy., ESC (Not sold as part of main assembly)	10418805
TSC-0128	10-7A	Main Burner w / Pilot Bracket-ESC, ESG, EPS EPC	10457500
100-0088	10-7B	Main Burner w / Pilot Bracket-EPG, EPM	10457200
	11	Reducer (125 - 175)	P0065300
	12	Nipple (125 - 175)	P0013900
	13	Insulator Mounting Screw	F0034300
		Visioflame Tubing EPM, EPG, EPC	10369600
		Lighter Tube (All Models)	W0016200
		Orifice, Lighter Tube Nat.	W0018800
<u>HEAT EXCHANGER ASSEMBLY</u>			
	1	Bolt	F0046100
	2	Nut	F0003100
012-0511	3B	Inlet/Outlet Header 1.5" (Bronze) for EPS, EPG, EPM, EPC, EPCII	R0054700
SSC-0188	3A	Inlet/Outlet Header 2" (Bronze) for EPG, EPM, EPC, EPS, EPCII, ESG, ESC	R0016800
012-0202	3C	Inlet/Outlet Header 2" for EPG, EPM, EPC, EPS, EPCII, ESG, ESC	R0056400
012-0213	3D	Inlet/Outlet Header 1.5" for EPS, EPG, EPM, EPC, EPCII	R0058400

Sierra Vista
4711 S Highway 92
1-800-559-9291 Phone
520-458-9293 Fax



COMMERCIAL POOL CARE DIVISION

Northwest
6320 N Oracle Rd
520-797-2299 Phone
520-797-9293 Fax

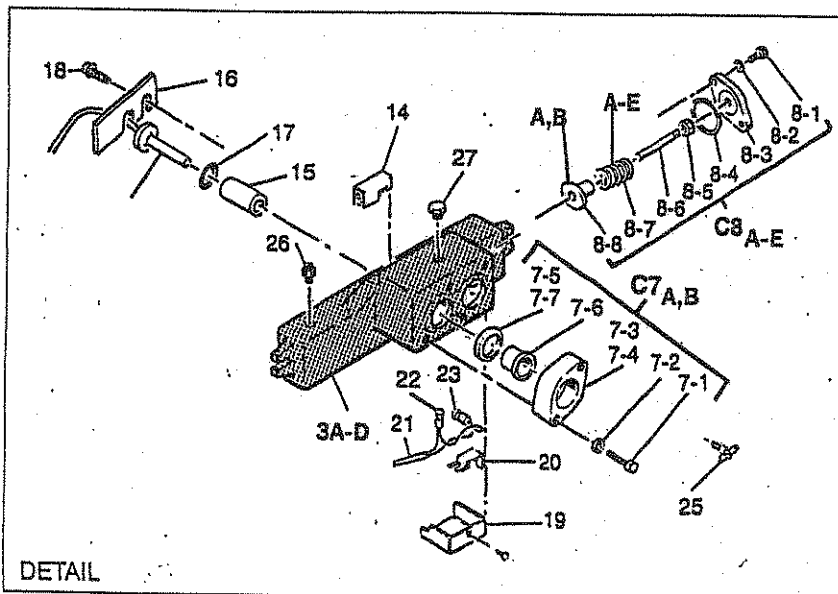
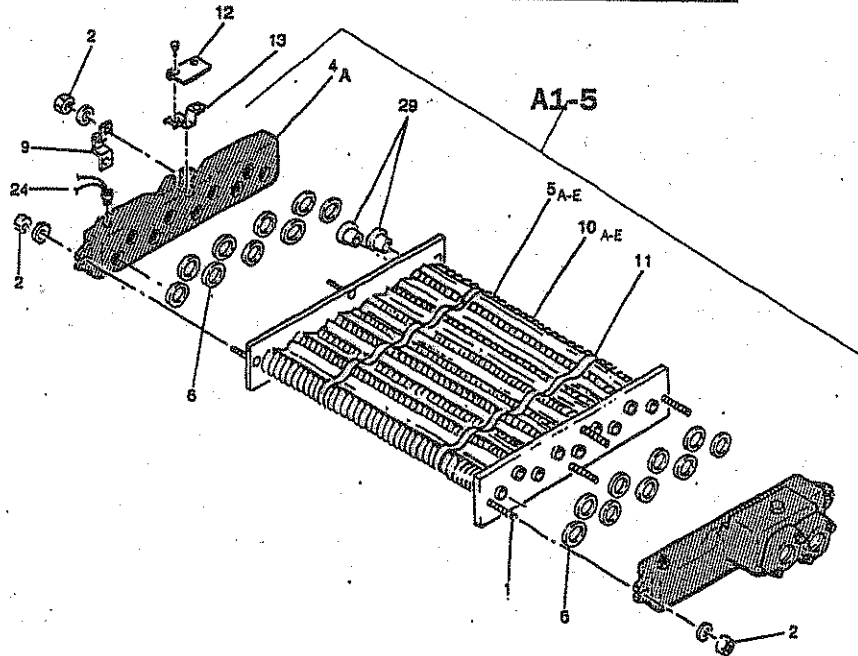
Central
2512 N Campbell Ave
520-795-8240 Phone
520-327-1142 Fax

Main Office/Eastside
7960 E 22nd St
520-886-1211 Phone
520-886-6364 Fax

Northeast
9155 E Tanque Verde Rd
520-749-9155 Phone
520-760-0035 Fax

TELEDYNE LAARS SERIES I & II
MODELS EPG, EPM, EPS, ESC, EPSII, & ESG

HEAT EXCHANGER ASSEMBLY



DETAIL

Sierra Vista
4711 S Highway 92
1-800-559-9291 Phone
520-458-9293 Fax



COMMERCIAL POOL CARE DIVISION

Northwest
6320 N Oracle Rd
520-797-2299 Phone
520-797-9293 Fax

Central
2512 N Campbell Ave
520-795-8240 Phone
520-327-1142 Fax

Main Office/Eastside
7960 E 22nd St
520-886-1211 Phone
520-886-6364 Fax

Northeast
9155 E Tanque Verde Rd
520-749-9155 Phone
520-760-0035 Fax

PATIO'S NUMBER	ITEM KEY	TELEDYNE LAARS SERIES I & II MODELS EPG, EPM, EPS, ESC, EPSII, ESG	MANUFACTURER NUMBER
HEAT EXCHANGER ASSY. CONTINUED			
012-0209	4A	Return Headers (All Models)	R0058300
012-0201	4B	Return Headers (Bronze), All Models	R0054600
012-0152	5A	Heat Exchanger 125	R0018101
012-0153	5B	Heat Exchanger 175	R0018102
012-0151	5C	Heat Exchanger 250	R0018103
012-0154	5D	Heat Exchanger 325	R0018104
012-0157	5E	Heat Exchanger 400	R0018105
012-0513	6	Header Gasket (Set of 18)	R0050800
012-0511	C-7A	Flange Kit 2"	R0055000
012-0515	C-7B	Flange Kit Complete	R0031900
	7-	Bolt	F0031700
	7-	Washer	F0011100
	7-	Flange 1 1/2"	S0053300
012-0599	7-	Flange 2"	10573500
	7-	Obsolete Flange	R0100000
	7-	Flange Gaskets, 1 1/2"	S0053100
012-0579	7-	Flange Gaskets, 2"	S0078000
012-0501	7-	Sleeve for 2" Flange	S0078200
	7-	Sleeve for 1 1/2" Flange	S0028000
	7-	Gasket, Flange 2"x1 1/2"	S0078100
012-0512	*	Gasket Kit, 1 1/2" Flanges	R0021100
012-0511	*	Gasket Kit, 2" Flanges	R0054800
	C8A	NLA Rep w/individual components	10701302
	C8B	NLA Rep w/individual components	10701303
	C8C	Flow Valve Assy., Series II 325	10701304
	C8D	Flow Valve Assy., Series II 400	10701305
	C8E	Flow Valve Assy., Series II 125	10701301
	8-	Header Bolt	F0046100
	8-	Washer	F0011100
	8-	Flow Control Cap	10452201
012-0586	8-	Flow Control Gasket	R0011400
	8-	Nut	F0048400
	8-	Rod	S0079800
	8-7A	Bypass Spring, Purple 2"	S0079900
012-0351	8-7B	Bypass Spring, White 125 & 175	S0061400
012-0352	8-7C	Bypass Spring, Red 250	S0061300
012-0353	8-7D	Bypass Spring, Blue 325	S0061200
012-0356	8-7E	Bypass Spring, Blue 400	S0070100
012-0299	8-8A	Disc, By-pass	S0074200
	8-8B	Disc, By-pass 2"	S0079500
012-1131	*	Rod Assy. W/Disc (No Spring) for 1 1/2" Flanges	R0013100
	18-P	Pilot Shield	OBSOLETE

Sierra Vista
 4711 S Highway 92
 1-800-559-9291 Phone
 520-458-9293 Fax



COMMERCIAL POOL CARE DIVISION

Northwest
 6320 N Oracle Rd
 520-797-2299 Phone
 520-797-9293 Fax

Central
 2512 N Campbell Ave
 520-795-8240 Phone
 520-327-1142 Fax

Main Office/Eastside
 7960 E 22nd St
 520-886-1211 Phone
 520-886-6364 Fax

Northeast
 9155 E Tanque Verde Rd
 520-749-9155 Phone
 520-760-0035 Fax

PATIO'S NUMBER	ITEM KEY	TELEDYNE LAARS SERIES I & II MODELS EPG, EPM, EPS, ESC, EPSII, ESG	MANUFACTURER NUMBER
HEAT EXCHANGER ASSY. CONTINUED			
	9	Bracket, Heat Exchanger	10457000
	10A	Baffle, Heat Exchanger - 175 (Each)	10697402
SP1-4270	10B	Baffle, Heat Exchanger - 250 (Each)	10697403
SP6-2109	10C	Baffle, Heat Exchanger - 325 (Each)	10697404
	10D	Baffle, Heat Exchanger - 400 (Each)	10697405
	10E	Baffle, Heat Exchanger - 125 (Each)	10697401
012-0507	11	Clip, Baffle Retainer	S0083900
	12	Clamp, Hold Down	10726200
	13	Bracket, Hold Down	10726300
	14	Bracket, Insulator Retainer	10462200
	15-	Sleeve	10444900
012-0403	16	Retainer, Temperature Sensor	10447300
	17	O-Ring	E0116400
012-0406	17A	Temperature Sensor, Series I	R0011800
	17-B	NLA Sensor	E0110500
	18	Screw	F0009100
	19	Cover, Hi-Limit Switch	10418300
	20	Clip, Hi-Limit Switch Retainer	10418400
	21	Wire Harness, Hi-Limit Assembly	R0023600
012-0137	22	Disc, Hi-Limit 150 F	R0023000
012-0135	23	Disc, Hi-Limit 135 F	R0022700
012-0139	24	Redundant, Hi-Limit, 275 F	R0012800
	*	Plug, for Redundant Hi-Limit	P0026800
	25	Drain Plug	P0058700
	26	Connector Assembly	P0019700
	27	Plug, 3/4"	P0027000
	28	Restrictors (125 Only)	S0000300
	*	Pressure Relief Valve	A0063300
* Indicates Items Not Shown!			
See Page 1 for Heat Exchanger Dimensions.			
VENTING ASSEMBLY			
012-0040	*	Outdoor Vent Cap, 125	10561501
012-0041	*	Outdoor Vent Cap, 175	10561502
012-0042	*	Outdoor Vent Cap, 250	10561503
012-0043	*	Outdoor Vent Cap, 325	10561504
012-0044	*	Outdoor Vent Cap, 400	10561505

Sierra Vista
4711 S Highway 92
1-800-559-9291 Phone
520-458-9293 Fax



COMMERCIAL POOL CARE DIVISION

Northwest
6320 N Oracle Rd
520-797-2299 Phone
520-797-9293 Fax

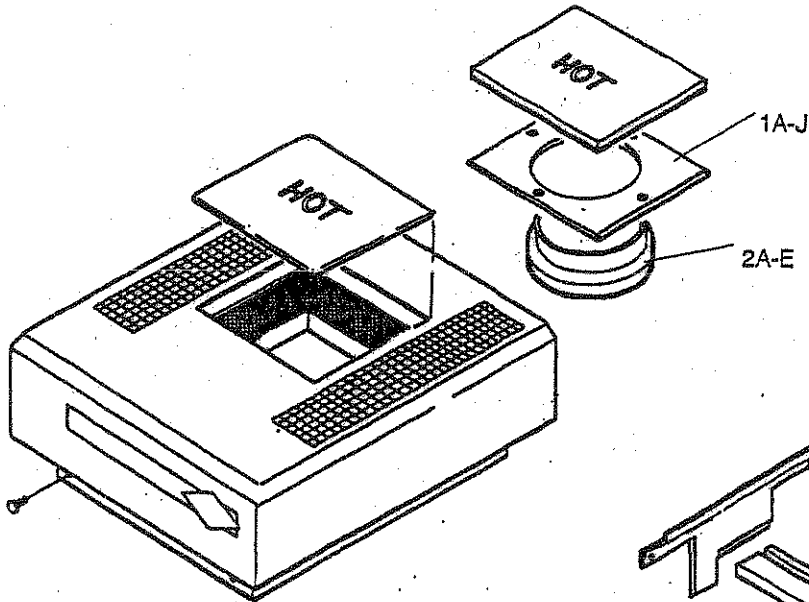
Central
2512 N Campbell Ave
520-795-8240 Phone
520-327-1142 Fax

Main Office/Eastside
7960 E 22nd St
520-886-1211 Phone
520-886-6364 Fax

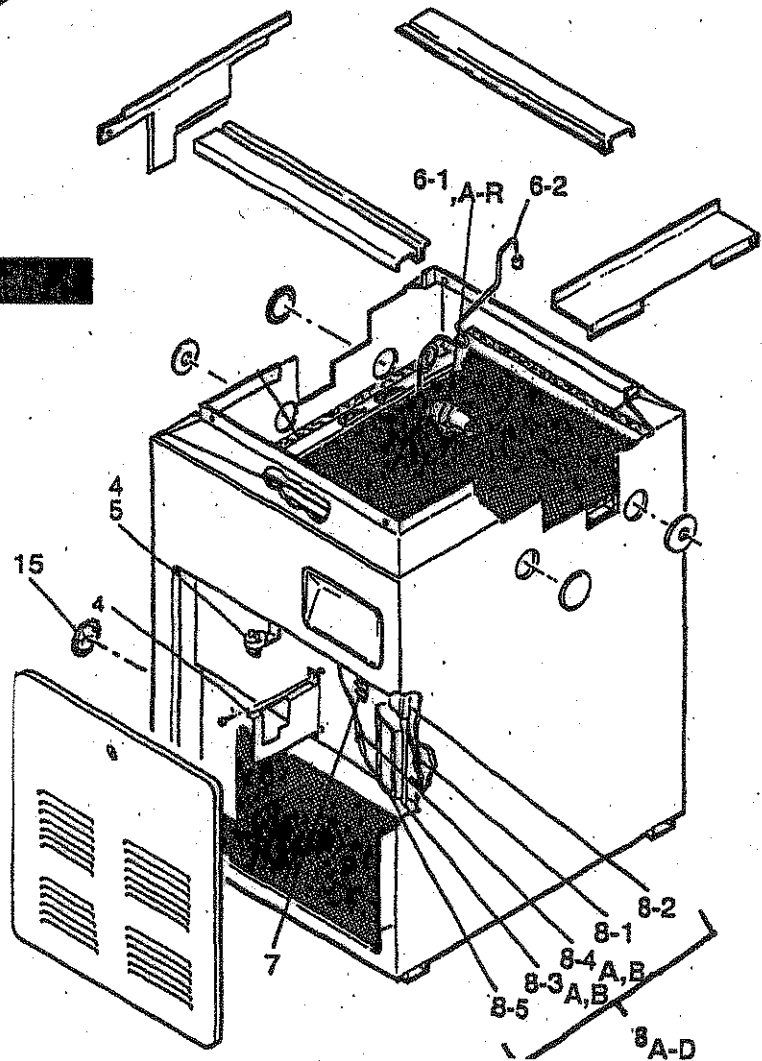
Northeast
9155 E Tanque Verde Rd
520-749-9155 Phone
520-760-0035 Fax

TELEDYNE LAARS SERIES I & II
MODELS EPG, EPM, EPS, ESC, EPSII, & ESG

VENTING ASSEMBLY



JACKET ASSEMBLY



Sierra Vista
 4711 S Highway 92
 1-800-559-9291 Phone
 520-458-9293 Fax



COMMERCIAL POOL CARE DIVISION

Northwest
 6320 N Oracle Rd
 520-797-2299 Phone
 520-797-9293 Fax

Central
 2512 N Campbell Ave
 520-795-8240 Phone
 520-327-1142 Fax

Main Office/Eastside
 7960 E 22nd St
 520-886-1211 Phone
 520-886-6364 Fax

Northeast
 9155 E Tanque Verde Rd
 520-749-9155 Phone
 520-760-0035 Fax

PATIO'S NUMBER	ITEM KEY	TELEDYNE LAARS SERIES I & II MODELS EPG, EPM, EPS, ESC, EPSII, ESG	MANUFACTURER NUMBER
<u>JACKET ASSEMBLY</u>			
012-0509	4	Fusible Link	R0012200
	5	Fusible Link Bracket	10479900
	6	NLA Pressure Switch	R0095100
	6	Pressure Switch,ESG (2 PSI)	R0013200
012-0128	6	Pressure Switch, Series II	R0013200
	6	Pressure Switch, 1 PSI	R0011300
	6	Pressure Switch, Special (3 PSI)	R0013000
012-0127	6	Pressure Switch, Special (1 to 10 PSI)	R0015500
	7	Terminal Block	10545200
	*	Piezo Lighter Assy. (EEG) MV	R0096800
	*	Piezo Lighter Knob (EEG) MV	R0097000
	8	Ignition Control Assy., ESC Natural	10457900
012-1132	8	Ignition Control Assy., ESC Propane	R0097900
012-0330	8	Ignition Control Assy., Series I Natural	R0011900
012-1128	8	Ignition Control Assy., Series I Propane	E0112300
012-0111	8	Wire Harness Assy., ESC	R0059800
	8	NLA Wire Harness	10479700
012-0510	8-Jan	Transformer115-220V / 24V	R0061100
	8	Ignition Control Panel ESC	10451200
	8	Rain Guard, OBSOLETE	10523900
	8	In-Line Fuse Assy., EPC, EPS, ESC	10480000
	8	Ignition Control, L.P. ESC	R0097100
012-0330	8	Ignition Control Nat.	R0011900
* Indicates Item Not Shown			
Firebrick is Special Order (Non - Returnable) Complete Firetile Kits Are Available			

Sierra Vista
 4711 S Highway 92
 1-800-559-9291 Phone
 520-458-9293 Fax



COMMERCIAL POOL CARE DIVISION

Northwest
 6320 N Oracle Rd
 520-797-2299 Phone
 520-797-9293 Fax

Central
 2512 N Campbell Ave
 520-795-8240 Phone
 520-327-1142 Fax

Main Office/Eastside
 7960 E 22nd St
 520-886-1211 Phone
 520-886-6364 Fax

Northeast
 9155 E Tanque Verde Rd
 520-749-9155 Phone
 520-760-0035 Fax

PATIO'S NUMBER	ITEM KEY	TELEDYNE LAARS SERIES I & II MODELS EPG, EPM, EPS, ESC, EPSII, ESG	MANUFACTURER NUMBER
<u>VENTING ASSEMBLY CONTINUED</u>			
012-0233	1A	Adapter Plate, Vent Cap Series I (175)	10535302
	1B	Adapter Plate, Vent Cap Series I (250)	10535303
	1C	Adapter Plate, Vent Cap Series I (325)	10535304
	1D	Adapter Plate, Vent Cap Series I (400)	10535305
	1E	OBSOLETE Adapter	10757301
	1F	Adapter Plate, Vent Cap Series II (175)	10757302
	1G	Adapter Plate, Vent Cap Series II (250)	10757303
	1H	Adapter Plate, Vent Cap Series II (325)	10757304
	1I	Adapter Plate, OBSOLETE	10757305
	1J	Adapter Plate, Vent Cap Series II (125)	10535301
	2A	Ring, Flue Transition, Series I	10515502
	2B	Ring, Flue Transition, Series I	10515503
	2C	Ring, Flue Transition, Series I	10515504
	2D	Ring, Flue Transition, Series I	10515505
	2E	Ring, Flue Transition, Series I	10515501
* Indicates Item Not Shown			
Note: Power Vents are for Spark Ignition Heaters Only!			