

Sierra Vista  
4711 S Highway 92  
1-800-559-9291 Phone  
520-458-9293 Fax



COMMERCIAL POOL CARE DIVISION

Northwest  
6320 N Oracle Rd  
520-797-2299 Phone  
520-797-9293 Fax

Central  
2512 N Campbell Ave  
520-795-8240 Phone  
520-327-1142 Fax

Main Office/Eastside  
7960 E 22nd St  
520-886-1211 Phone  
520-886-6364 Fax

Northeast  
9155 E Tanque Verde Rd  
520-749-9155 Phone  
520-760-0035 Fax

PATIO'S NUMBER	ITEM KEY	LAARS XE SERIES MODELS ES, ES II, & EC	MANUFACTURER NUMBER
<b><u>PILOT GAS SYSTEM</u></b>			
012-0514	1	Pilot Burner/Electrode, NAT.	R0061600
012-0596	2	Pilot Tubing	R0037000
012-0595	3	Ceramic Insulator Assembly	R0011600
<b><u>MAIN GAS ASSEMBLY</u></b>			
	4	Burner Tray Assembly, NAT, 125,000 BTU	10458301
		Burner Tray Assembly, NAT, 175,000 BTU	10458302
		Burner Tray Assembly, NAT, 250,000 BTU	10458303
		Burner Tray Assembly, NAT, 325,000 BTU	10458304
		Burner Tray Assembly, NAT, 400,000 BTU	10458305
	5	Burner Tray, Shelf Only, NAT, 125,000 BTU	R0317001
		Burner Tray, Shelf Only, NAT, 175,000 BTU	R0317002
		Burner Tray, Shelf Only, NAT, 250,000 BTU	R0317003
		Burner Tray, Shelf Only, NAT, 375,000 BTU	R0317004
		Burner Tray, Shelf Only, NAT, 400,000 BTU	R0317005
012-1392	6	Gas Valve, NAT, 1/2" (125 - 175)	R0039200
012-0282		Gas Valve, NAT, 3/4" (250 - 400)	R0099400
	7	Gas Orifice, NAT	L0032200
	8	Burner, Main	L0052300
TSC-0128	9	Burner, Main w/Pilot Bracket	10457500
	10	Burner Manifold	
* For Altitudes Above 2,000 Feet, Consult the Manufacturer.			
<b><u>ELECTRICAL SYSTEM</u></b>			
012-0517	11	Temp Control Assembly - ES, ES II	R0011700
	12	Wire Harness	10457800
012-0406	13	Temperature Sensor	R0011800
	14	Knob, Single Bar	R0099900
	15	Temperature Control Assembly - EC	R0318800
012-0136	16	"On/Off" Switch	R0091100
	17	Temperature Control Plate	10456300
	18	O-Ring, Temperature Control Bulb	E0036300
012-0516	19	Thermostat Knob, Black R117 & R3188	R0010700
	20	Gasket, Temp. Sens. Bulb	E0116400
	21	Protector Sleeve, Bulb (R117 & R3188)	10444900
	22	Bezel (R117 & R3188)	S0069800
012-0360	23	Temperature Control Gasket (R117 & R3188)	S0070000
	24	"Temp-Lok" Stop Plate (R117 & R3188)	10583100
	25	Stop Plate Screw (R117 & R3188)	F0033300
012-0128	26	Pressure Switch, 2 PSI	R0013200
012-0127		Pressure Switch, 1 PSI	R0015500
012-0598	27	Siphon Loop Assembly	R0057800
012-1232	28	High-Limit Switch Assembly	R0023200
012-1232	29	High-Limit Switch Assembly	R0023200

Sierra Vista  
 4711 S Highway 92  
 1-800-559-9291 Phone  
 520-458-9293 Fax



COMMERCIAL POOL CARE DIVISION

Northwest  
 6320 N Oracle Rd  
 520-797-2299 Phone  
 520-797-9293 Fax

Central  
 2512 N Campbell Ave  
 520-795-8240 Phone  
 520-327-1142 Fax

Main Office/Eastside  
 7960 E 22nd St  
 520-886-1211 Phone  
 520-886-6364 Fax

Northeast  
 9155 E Tanque Verde Rd  
 520-749-9155 Phone  
 520-760-0035 Fax

PATIO'S NUMBER	ITEM KEY	LAARS XE SERIES MODELS ES, ES II, & EC	MANUFACTURER NUMBER
<b><u>ELECTRICAL SYSTEM</u></b>			
012-0137	30	High Limit Switch, 150F	R0023000
	31	High-Limit Switch Retainer Clip	10418400
	32	High-Limit Switch Retainer Boot	S0098900
	33	High-Limit Switch Cover	10418300
012-0509	34	Fusible Link Assembly	R0012200
	35	Fusible Link Bracket	10479900
012-0510	36	Transformer (115V - 230V/ 24V)	R0061100
012-1123	37	Fuse Packet, 1.5 Amp	R0012300
012-0330	38	Ignition Control (Can be Used w/All 24V Valves)	R0011900
012-0111	39	Ignition Control Wire Harness - ES, ES II	R0059800
	40	High Voltage Lead Assembly	10449513
012-0519		High Voltage Lead Assembly	R0012100
012-0105	41	Wire Harness, Complete (Not Shown)	R0058100
* Supplied on heaters with serial numbers E9027185 and above. ** For heaters H/ W Ignition Control S86F or 286E only.			
<b><u>VENT SYSTEM</u></b>			
	42	Top Enclosure (125 - 400)	OBSOLETE
	43	Flue Collector Assembly (125 - 400)	OBSOLETE
	44	Outdoor Vent Cap (125 - 400)	10451501-05
012-0035	45	Indoor Draft Hood, 125,000 BTU	10561401
012-0036		Indoor Draft Hood, 175,000 BTU	10561402
012-0037		Indoor Draft Hood, 250,000 BTU	10561403
012-0038		Indoor Draft Hood, 325,000 BTU	10561404
012-0039		Indoor Draft Hood, 400,000 BTU	10561405
012-0232	46	Flue Transition Ring, 125	K0010301
012-0234		Flue Transition Ring, 175 - 400	K0010302-05
	47	Adapter Plate, 125,000 BTU	10535301
		Adapter Plate, 175,000 BTU	10535302
		Adapter Plate, 250,000 BTU	10535303
		Adapter Plate, 325,000 BTU	10535304
		Adapter Plate, 400,000 BTU	10535305
012-0518	48	Clip	10211000
<b><u>WATER SYSTEM</u></b>			
012-0213	49	Inlet/Outlet Header, 1-1/2"	R0058400
012-0209	50	Return Header	R0058300
012-0201	51	Return Header, Bronze	R0054600
012-0212	52	Header Bolt Assembly	R0057000
012-0525	53	Bolt for Headers, 2-1/2"	F0046100
	54	Washer for Headers	F0011100

Sierra Vista  
4711 S Highway 92  
1-800-559-9291 Phone  
520-458-9293 Fax



COMMERCIAL POOL CARE DIVISION

Northwest  
6320 N Oracle Rd  
520-797-2299 Phone  
520-797-9293 Fax

Central  
2512 N Campbell Ave  
520-795-8240 Phone  
520-327-1142 Fax

Main Office/Eastside  
7960 E 22nd St  
520-886-1211 Phone  
520-886-6364 Fax

Northeast  
9155 E Tanque Verde Rd  
520-749-9155 Phone  
520-760-0035 Fax

PATIO'S		LAARS XE SERIES		MANUFACTURER
NUMBER	ITEM KEY	MODELS ES, ES II, & EC		NUMBER
	55	Nut for Headers		F0003100
012-0513	56	Header Gasket Assembly (Set of 18)		R0050800
012-0515	57	Flange and Gasket Assembly (2)		R0031900
	58	Flange, 1-1/2"		10309200
	59	Flange Gasket, 1-1/2"		S0053100
<b><u>HEAT EXCHANGERS - METAL</u></b>				
012-0355	60	Flange Sleeve, 1-1/2"		S0028000
SP1-7362	61	Flange Bolts, 2"		F0031700
	62	Grommet for Drain Plug		R0316300
	63	Grommet, Slitted (Not Shown)		S0071100
	64	Hole Plug		S0098700
	65	Drain Plug (Current Available Substitute)		P0026800
	66	Drain Plug Bushing		P0018500
	67	Brass Plug, 3/4"		P0027000
012-1131	68	By-Pass Assembly		R0013100
	69	By-Pass Valve Rod		S0079800
012-0297	70	By-Pass Valve Disc		R0011500
	71	By-Pass Valve Cap		10452201
	72	By-Pass Valve Cap Bolt		F0041600
012-0586	73	By-Pass Valve Gasket, O-Ring		R0011400
012-0351	74	By-Pass Valve Spring, White (125/175)		S0061400
012-0352		By-Pass Valve Spring, Red (250)		S0061300
012-0353		By-Pass Valve Spring, Blue (325)		S0061200
012-0356		By-Pass Valve Spring, Black (400)		S0070100
012-0152	75	Heat Exchanger Tube Assembly, 125,000 BTU		R0018101
012-0123		Heat Exchanger Tube Assembly, 175,000 BTU		R0018102
012-0151		Heat Exchanger Tube Assembly, 250,000 BTU		R0018103
012-0154		Heat Exchanger Tube Assembly, 325,000 BTU		R0018104
012-0157		Heat Exchanger Tube Assembly, 400,000 BTU		R0018105
	76	Heat Exchanger Baffle, (125 BTU)(8 Req.)		10697401
		Heat Exchanger Baffle, (175 BTU)(8 Req.)		10697402
SP1-4270		Heat Exchanger Baffle, (250 BTU)(8 Req.)		10697403
SP6-2109		Heat Exchanger Baffle, (325 BTU)(8 Req.)		10697404
		Heat Exchanger Baffle, (400 BTU)(8 Req.)		10697405
012-0507	77	Baffle Retainer		S0083900
	78	Heat Exchanger Support Clip		10457000

\* Order assembly R0057000 for complete set of bolts.

Sierra Vista  
 4711 S Highway 92  
 1-800-559-9291 Phone  
 520-458-9293 Fax



COMMERCIAL POOL CARE DIVISION

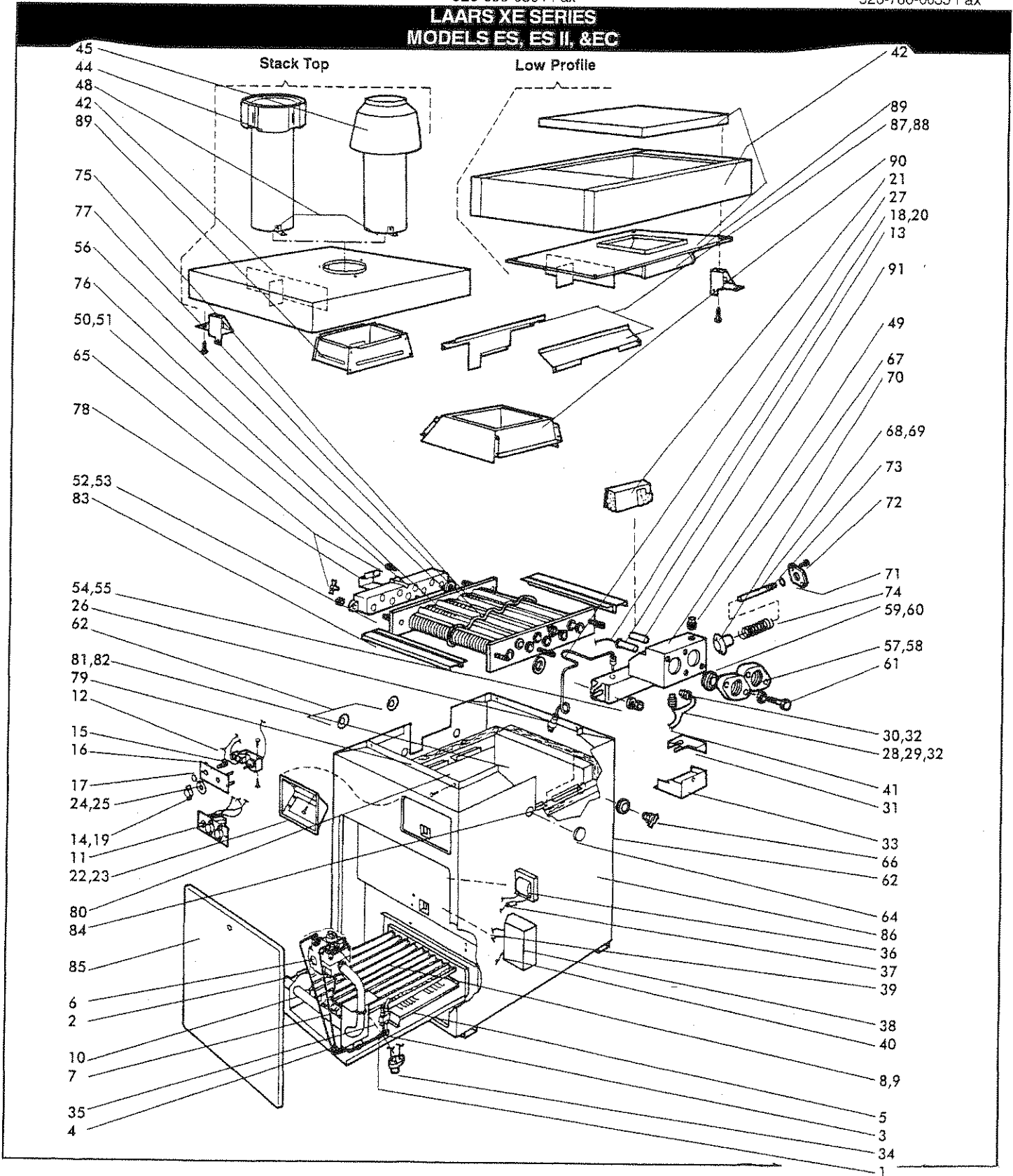
Northwest  
 6320 N Oracle Rd  
 520-797-2299 Phone  
 520-797-9293 Fax

Central  
 2512 N Campbell Ave  
 520-795-8240 Phone  
 520-327-1142 Fax

Main Office/Eastside  
 7960 E 22nd St  
 520-886-1211 Phone  
 520-886-6364 Fax

Northeast  
 9155 E Tanque Verde Rd  
 520-749-9155 Phone  
 520-760-0035 Fax

LAARS XE SERIES  
 MODELS ES, ES II, & EC



Sierra Vista  
 4711 S Highway 92  
 1-800-559-9291 Phone  
 520-458-9293 Fax



COMMERCIAL POOL CARE DIVISION

Northwest  
 6320 N Oracle Rd  
 520-797-2299 Phone  
 520-797-9293 Fax

Central  
 2512 N Campbell Ave  
 520-795-8240 Phone  
 520-327-1142 Fax

Main Office/Eastside  
 7960 E 22nd St  
 520-886-1211 Phone  
 520-886-6364 Fax

Northeast  
 9155 E Tanque Verde Rd  
 520-749-9155 Phone  
 520-760-0035 Fax

PATIO'S NUMBER	ITEM KEY	LAARS XE SERIES MODELS ES, ES II, & EC	MANUFACTURER NUMBER
<b><u>FIREBOX COMPONENTS</u></b>			
012-0439	79	Insulation, Fiberglass (Sold by the foot.)	T0002000
	80	Side Tile, 22-5/8" x 16-1/2"	OBSOLETE
	81	Front/Rear Tile, 125,000 BTU	T0021501
012-0428		Front/Rear Tile, 175,000 BTU	T0021502
012-0429		Front/Rear Tile, 250,000 BTU	T0021503
012-0430		Front/Rear Tile, 325,000 BTU	T0021504
012-0431		Front/Rear Tile, 400,000 BTU	T0021505
	82	Rear Tile, (125-400)	OBSOLETE
012-3000	83	Front/Rear Tile Cover, 125,000 BTU	10314901
		Front/Rear Tile Cover, 175,000 BTU	10314902
		Front/Rear Tile Cover, 250,000 BTU	10314903
012-0464		Front/Rear Tile Cover, 325,000 BTU	10314904
SPS-4028		Front/Rear Tile Cover, 400,000 BTU	10314905
012-0460	84	Side Tile Cover	10167300
<b><u>JACKET COMPONENTS</u></b>			
	85	Jacket Assembly, Less Top Assy. (125 BTU)	10448901
		Door w/Latch, 175,000 BTU	10448902
		Jacket Assembly, Less Top Assy. (250 BTU)	10448903
		Jacket Assembly, Less Top Assy. (325 BTU)	10448904
		Jacket Assembly, Less Top Assy. (400 BTU)	10448905
	86	Jacket Assembly, Less Top Assy. (125-400)	10747901-05
	87	Gap Closure, In/Out Side	10448200
	88	Gap Closure, Return Side	10448300
	89	Flue Collector, Upper Half	OBSOLETE
	90	Flue Collector, Lower Half	OBSOLETE
	91	Insulation & Retainer	10462200
<b><u>OPTIONAL ACCESSORIES (ES, ESII)</u></b>			
012-0288		Pressure Relief Valve, 3/4" NPT, 75 PSI	R0040400