

Sierra Vista  
 4711 S Highway 92  
 1-800-559-9291 Phone  
 520-458-9293 Fax



COMMERCIAL POOL CARE DIVISION

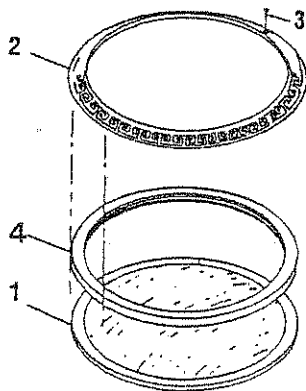
Northwest  
 6320 N Oracle Rd  
 520-797-2299 Phone  
 520-797-9293 Fax

Central  
 2512 N Campbell Ave  
 520-795-8240 Phone  
 520-327-1142 Fax

Main Office/Eastside  
 7960 E 22nd St  
 520-886-1211 Phone  
 520-886-6364 Fax

Northeast  
 9155 E Tanque Verde Rd  
 520-749-9155 Phone  
 520-760-0035 Fax

PATIO'S NUMBER	ITEM KEY	PENTAIR / AMERICAN PRODUCTS 500 WATT POOL LIGHT	MANUFACTURER NUMBER
03-0004	*	Light Complete, (30' Cord)	78454100
03-0006	*	Light Complete, (50' Cord)	78458100
03-0059	1	Clear Lens, 8-3/8"	79100100
03-0104	2	Face Ring, Chrome Plated Brass	79500100
03-0062	3	Pilot Screw	79104800
26-0170	4	Lens Gasket	79101600
	5	Flood Lamp, Medium Base, 100 Watt	100R20/S-12
		Flood Lamp, Medium Base, 300 Watt	79101900
03-0013		Flood Lamp, Medium Base, 500 Watt	500W/120V R40
03-0014		Flood Lamp, Medium Base, 300 Watt	300W/120V R40
03-0012		Flood Lamp, Medium Base, 400 Watt	400W/120V R40
	6	Brass Retainer Clip for Chrome Face Ring	79101500
	7	Clip Screw, 10-24 x 1/2", S/S	79110600
	8	Washer	51008500
03-0062	9	Pilot Screw	79104800
	10	Unitesion Wire	79110400
	11	Face Ring Assembly, S/S	79110600
27-0060		Unitesion Wire Clamp Assembly, (Incl. 10, 11, 12, & 13)	79111000
03-0115	12	Brass Nut	98216100
03-0118	13	Bolt, S/S	79112000
03-0072		Light Wedge	



AMERLITE™

