

Sierra Vista
 4711 S Highway 92
 1-800-559-9291 Phone
 520-458-9293 Fax



Northwest
 6320 N Oracle Rd
 520-797-2299 Phone
 520-797-9293 Fax

COMMERCIAL POOL CARE DIVISION

Central
 2512 N Campbell Ave
 520-795-8240 Phone
 520-327-1142 Fax

Main Office/Eastside
 7960 E 22nd St
 520-886-1211 Phone
 520-886-6364 Fax

Northeast
 9155 E Tanque Verde Rd
 520-749-9155 Phone
 520-760-0035 Fax

PATIO'S NUMBER	ITEM NO.	TAGELUS SAND FILTER MODELS TA 30 / TA40 / TA50 & TA60	MANUFACTURER NUMBER
24-0330	1A	Valve, 1-1/2" Six Way Clamp Style - All Models	262506
		Valve, 2" Six Way Clamp Style - TA100D	261185
	1B	Valve, 1-1/2" Six Way Buttress Thread - All Models	261130
24-0324		Valve, 1-1/2" Six Way V Thread - All Models	261124
26-0467	2A	O-Ring, Valve Body - 3/16" x 6-1/2" I.D. - All Models (O-467)	272541
26-0284		O-Ring, Valve Body - 3/16" x 6-1/2" I.D. - TA100D (O-467)	275333
26-0108	2B	O-Ring, Valve Body - 0157" x 5.75 I.D. - TA30/40/50/60, (O-108)	154493
26-0301	3A	O-Ring, Standpipe - 1/8" x 2-3/8" I.D. - TA100D (O-301)	355330
26-0387	3B	O-Ring, Standpipe - 1/8" x 1-7/8" I.D. - TA30/40/50/60 (O-287)	155064
	4	Clamp, 6-1/2" Diameter - TA30/40/50/60	152165
		Clamp, 8.35" Diameter - TA100D	152130
13-0201	5	Pressure Gauge, Rear Mount	155050
SSC-0190	6	Adapter, 6" Buttress Thread - TA30D/40D/50D/60D	154555
300-0110		Adapter, 6" V Thread - TA30D/40D/50D/60D	155225
		Adapter, 8-1/2" Buttress Thread - Ta100D	154514
26-0108	7	O-Ring, Valve Adapter, .157" x 5.75" I.D. - TA30D/40D/50D/60D (O-108)	154493
26-0337		O-Ring, Valve Adapter, .1/8"x 8-1/4" I.D. - TA100D (O-337)	152501
	8	Warning Label	154603
	9	Tank & Foot Assembly w/Valve Adapter - TA30D	OBSOLETE
		Tank & Foot Assembly w/Valve Adapter - TA40D	155276
		Tank & Foot Assembly V Thread Style - TA60	155023
SP5-1718	10	Piping Assembly - TA30/30D (Diameter on D Model 127/8")	155060
		Piping Assembly - TA40/40D (Diameter on D Model 173/4")	155061
		Piping Assembly - TA50/50D (Diameter on D Model 197/8")	155062
SP1-7981		Piping Assembly - TA60/60D (Diameter on D Model 225/8")	155063
SP1-5981	11	Lateral, 5-11/32" (TA30/30D)	155007
13-0167		Lateral, 5-11/32" Long - (TA40/50/60/40D/50D/60D)	152290
13-0168		Lateral, 9-1/8" Long - TA100D	152202
	12	Tank Foot, TA30/30D	OBSOLETE
		Tank Foot, TA40/50/60/40D/50D/60D	154926
300-0118		Tank Foot, TA100D	154596
13-0337	13	Spigot, 3/4" NPT Sand Drain	154698
		Spigot, 1/2" NPT Sand Drain	154682
26-0130	14	Drain Plug O-Ring - 1/16" x 1/2" I.D.	192115
25-0409	15	Drain Plug, 1/4" NPT	154699
13-0280	16	Wrench, 6-/2" Across Flats - TA30D/40D/50D/60D	154512
	17	Tape, Foot Mounting (Not Shown) - All Except TA100D	154402
		Tape, Foot Mounting (Not Shown) - TA100D	154407
Item 3A Not Required on TA30D/40D/50D/60D			

Sierra Vista
 4711 S Highway 92
 1-800-559-9291 Phone
 520-458-9293 Fax



COMMERCIAL POOL CARE DIVISION

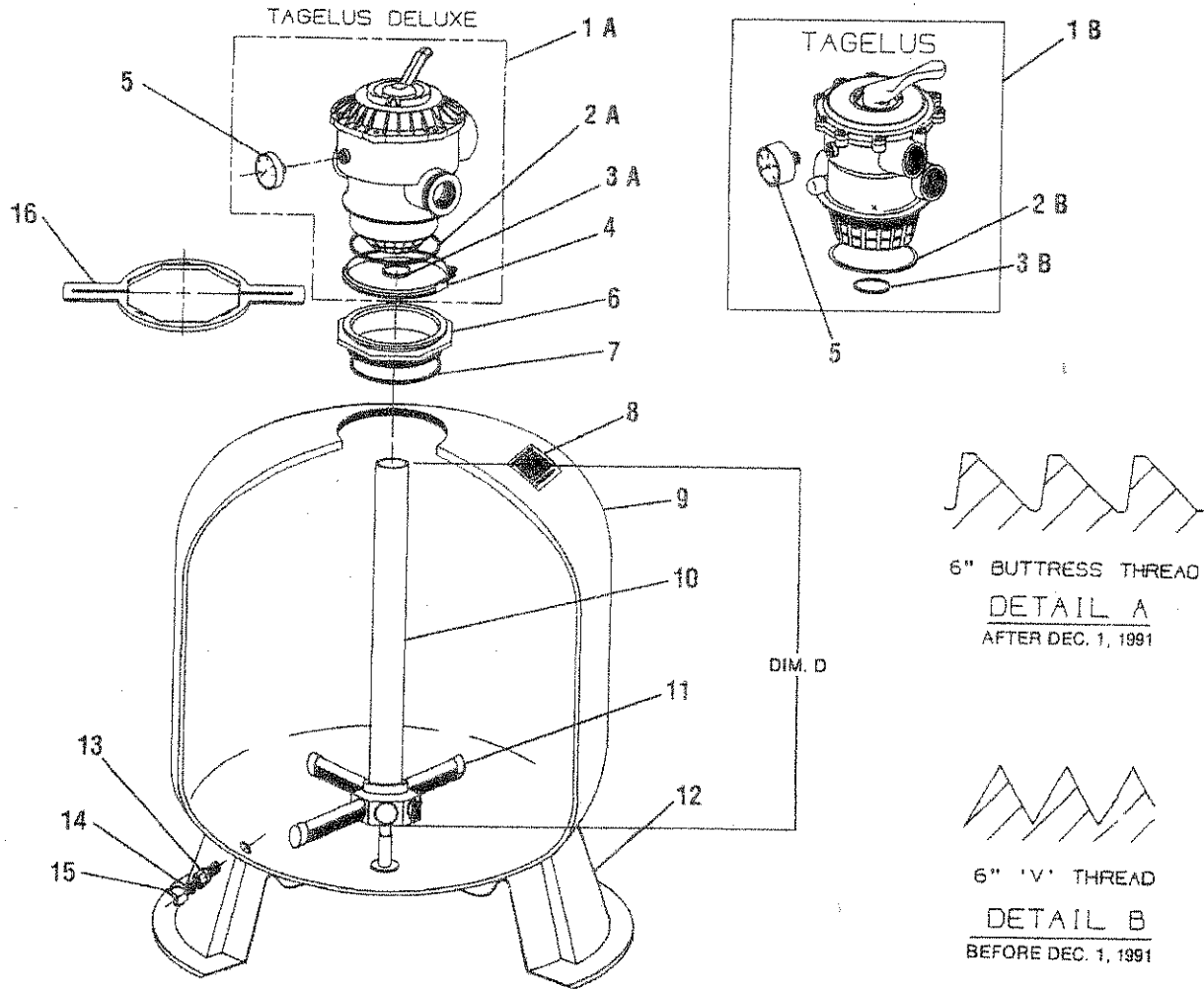
Northwest
 6320 N Oracle Rd
 520-797-2299 Phone
 520-797-9293 Fax

Central
 2512 N Campbell Ave
 520-795-8240 Phone
 520-327-1142 Fax

Main Office/Eastside
 7960 E 22nd St
 520-886-1211 Phone
 520-886-6364 Fax

Northeast
 9155 E Tanque Verde Rd
 520-749-9155 Phone
 520-760-0035 Fax

TAGELUS SAND FILTER
 MODELS TA30 / TA40 / TA50 & TA60



NOTE:

FILTERS (EXCEPT TA 100D MODELS) MANUFACTURED AFTER DEC. 1, 1991 UTILIZE A 6" BUTTRESS THREAD IN THE FILTER TANK TOP OPENING AND ON THE VALVE OR VALVE ADAPTOR -- SEE DETAIL A. FILTERS MANUFACTURED BEFORE DEC. 1, 1991 UTILIZE A 6" 'V' TYPE THREAD -- SEE DETAIL B. ALL TA 100D FILTERS UTILIZE 8-1/2" BUTTRESS THREADS.

