

Sierra Vista
 4711 S Highway 92
 1-800-559-9291 Phone
 520-458-9293 Fax



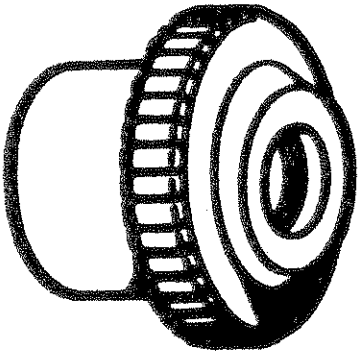
COMMERCIAL POOL CARE DIVISION

Northwest
 6320 N Oracle Rd
 520-797-2299 Phone
 520-797-9293 Fax

Central
 2512 N Campbell Ave
 520-795-8240 Phone
 520-327-1142 Fax

Main Office/Eastside
 7960 E 22nd St
 520-886-1211 Phone
 520-886-6364 Fax

Northeast
 9155 E Tanque Verde Rd
 520-749-9155 Phone
 520-760-0035 Fax

PATIO'S NUMBER	ITEM KEY	WHITE GOODS	MANUFACTURER NUMBER
<u>HAYWARD WALL INLETS</u>			
06-0021 06-0012 06-0013 06-0026 06-0016	1 2 3	Ball Seat Ball, Slotted Ball Kit, 3/8" Ball Kit, 1/2" Ball Kit, 3/4" Ball Kit, 1"	SPX1419B1 SPX1419C1 SP1419B SP1419C SP1419D SP1419E
			
<u>HAYWARD SIGHT GLASS</u>			
13-0217 13-0218	1	Sight Glass, 2" Slip x Slip Sight Glass, 1-1/2" Slip x Slip	SP1074S SP1072S
