

Sierra Vista  
 4711 S Highway 92  
 1-800-559-9291 Phone  
 520-458-9293 Fax



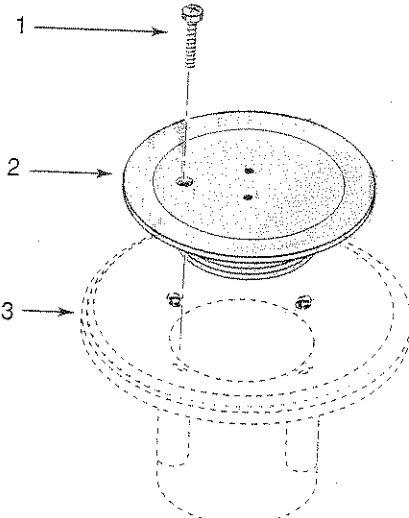
COMMERCIAL POOL CARE DIVISION

Northwest  
 6320 N Oracle Rd  
 520-797-2299 Phone  
 520-797-9293 Fax

Central  
 2512 N Campbell Ave  
 520-795-8240 Phone  
 520-327-1142 Fax

Main Office/Eastside  
 7960 E 22nd St  
 520-886-1211 Phone  
 520-886-6364 Fax

Northeast  
 9155 E Tanque Verde Rd  
 520-749-9155 Phone  
 520-760-0035 Fax

PATIO'S NUMBER	ITEM KEY	WHITE GOODS	MANUFACTURER NUMBER
06-0223 06-0224	1 2 3	<p style="text-align: center;"><b><u>STA-RITE FLOOR INLET</u></b></p> 	37207-0430 08417-0005 08417-0005B 08417-0005C NOT AVAILABLE
06-0020  06-0019 06-0018 06-0033	1 2 8 9 *	<p style="text-align: center;"><b><u>STA-RITE EYEBALL WALL INLET</u></b></p>	08428-0005 08428-0005B 37077-0582 08428-0014 08428-0014B 08428-0001 08428-0001B 08428-0000
