

Sierra Vista
 4711 S Highway 92
 1-800-559-9291 Phone
 520-458-9293 Fax



COMMERCIAL POOL CARE DIVISION

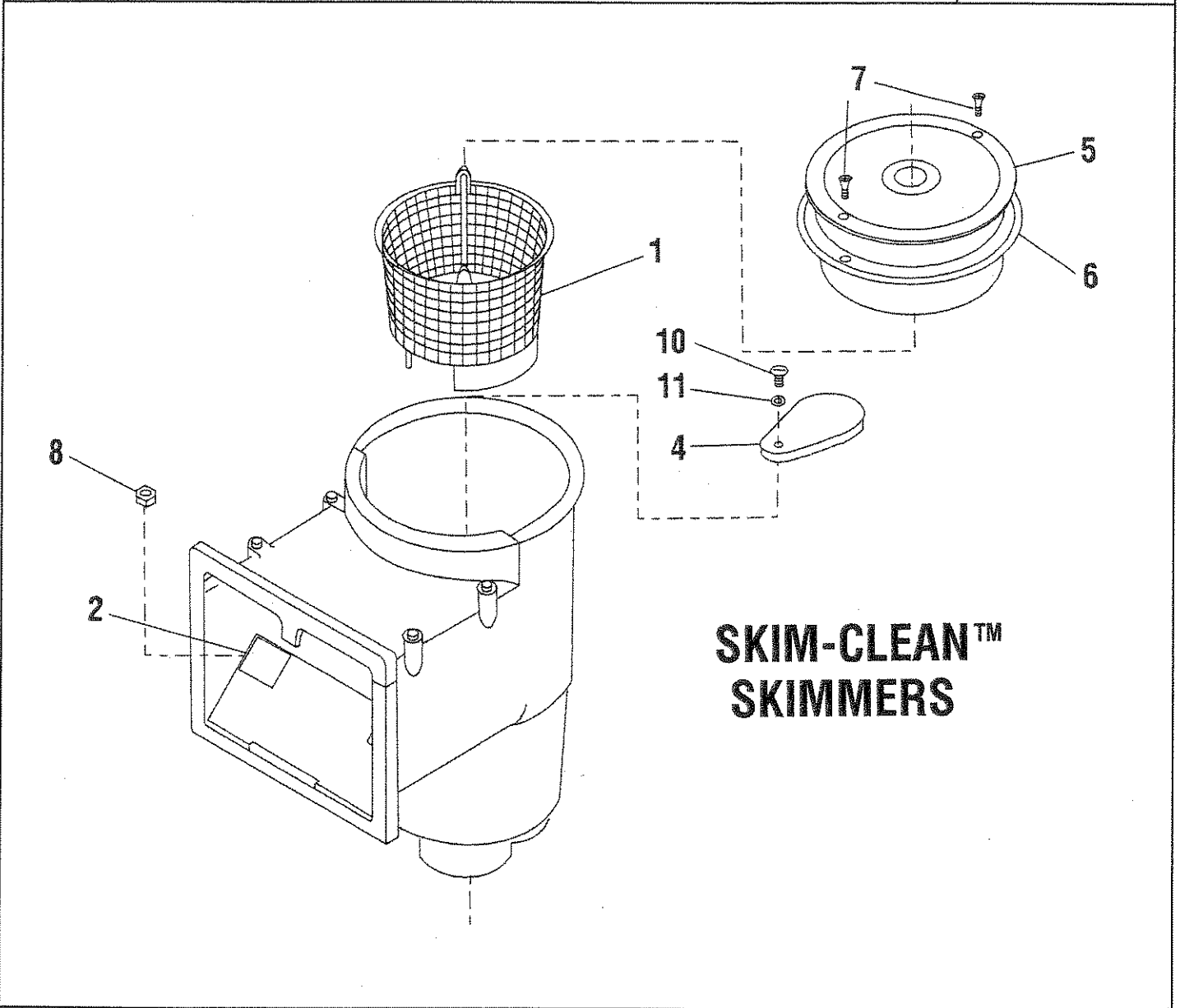
Northwest
 6320 N Oracle Rd
 520-797-2299 Phone
 520-797-9293 Fax

Central
 2512 N Campbell Ave
 520-795-8240 Phone
 520-327-1142 Fax

Main Office/Eastside
 7960 E 22nd St
 520-886-1211 Phone
 520-886-6364 Fax

Northeast
 9155 E Tanque Verde Rd
 520-749-9155 Phone
 520-760-0035 Fax

PATIO'S NUMBER	ITEM KEY	SKIM - CLEAN SKIMMER	MANUFACTURER NUMBER
07-0043	1	Basket (B-43)	513036
SP3-5829	2	Weir Assembly	513027
SP2-0567	4	Equalizer	OBSPLETE
SP1-6207	5	Skimmer Lid	513030
SP2-0567	6	Skimmer Ring	513031
	8	Nut, 1/4"-20 S/S	192106
	11	Washer, 9/16" Brass	512150



**SKIM-CLEAN™
 SKIMMERS**