

Sierra Vista
4711 S Highway 92
1-800-559-9291 Phone
520-458-9293 Fax



COMMERCIAL POOL CARE DIVISION

Northwest
6320 N Oracle Rd
520-797-2299 Phone
520-797-9293 Fax

Central
2512 N Campbell Ave
520-795-8240 Phone
520-327-1142 Fax

Main Office/Eastside
7960 E 22nd St
520-886-1211 Phone
520-886-6364 Fax

Northeast
9155 E Tanque Verde Rd
520-749-9155 Phone
520-760-0035 Fax

PATIO'S NUMBER	ITEM KEY	STA-RITE DYNA-GLASS & DYNA-MAX	MANUFACTURER NUMBER
	1	Square Flange Motor (Must know Horse Power)	
	2	Bonding Lug Screw, #10-32x1/2"	U30-692SS
	3	Bonding Lug	U17-568
	4	Slinger	17351-0009
25-0485	5	Seal Plate	C3-184P
26-0469	6	Seal Plate O-Ring	O-649
25-1009	7	Pump Shaft Seal, (Generic PS201)	37400-0027S
25-0193	8	Impeller 3/4 HP Models-MPFA6D-176L/146L; MPRA6D-146L/146LC	C105-236P
25-0194	8	Impeller 1 HP Models-MPEA6E-147L; MPFA6E-147L; & MPRA6E-147LC	C105-236PB
	8	Impeller 1-1/2 HP Models-MPEA6F-148L; MPFA6F-147L	
	8	MPRA6F-148L; MPRA6F-148LC; MPRA6YF-174L; & MPRA6YF-174LS	C105-236PC
SP3-4539	8	Impeller 2 HP Models MPEA6G-155L; MPRA6G-155L; MPRA6AG-155LC	
	8	MPEA6YG-175L; & MPEA6YG-175LS	C105-236PDA
	8	Impeller 2-1/2 HP Models MPAA6G-168L; MPAA6YG-168L	
	8	MPEAA6YG-168LS	C105-236PEA
SP3-5344	8	Impeller 1-1/2 HP Models-MPRA6Y; MPEA6Y; & MPEAA6Y - ONLY!!!	C105-236PF
	8	Impeller 2 HP Models MPRA6Y; MPEA6Y; & MPEAA6Y - ONLY!!!	C105-236PGAB
	8	Impeller 2-1/2 HP Models MPRA6Y; MPEA6Y; & MPEAA6Y - ONLY!!!	C105-236PEA
	8	Impeller 3/4 HP Models-MPFA6D; MPFA6E; & MPFA6F - ONLY!!!	C105-236PJ
25-0193	8	Impeller 1 HP Models-MPFA6D; MPFA6E; & MPFA6F - ONLY!!!	C105-236P
25-0194	8	Impeller 1-1/2 HP Models-MPFA6D; MPFA6E; & MPFA6F ONLY!!!	C105-236PB
	8A	Lock Screw Gasket	33455-1047
25-0629	8B	Impeller Lockscrew (Required on 2 & 2-1/2 HP Models)	37337-6080
25-0265	9	Diffuser 3/4 HP	C1-270PB
25-0266	9	Diffuser 1 HP	C1-270PC
25-0267	9	Diffuser 1-1/2; 2; 2-1/2 HP	C1-270P
25-0265	9	Diffuser Models MPFA6D; MPFA6E; & MPFA6F - 3/4 & 1 HP ONLY!!!	C1-270PB
25-0266	9	Diffuser Models MPFA6D; MPFA6E; & MPFA6F - 1- 1/2 HP ONLY!!!	C1-270PC
26-0083	10	Diffuser O-Ring (O-083)	U9-374
25-0484	11	Tank & Trap Body (Only)	C76-58P
25-0611	12	Trap Cover	C3-185P
25-0619	12A	Trap Cover (Biguanida Resistant)	C3-185P3
26-0013	13	Trap Cover O-Ring (Also 26-0012; O-012; & O-013)	U9-375
25-0613	14	Trap Basket	C8-58P
25-0620	15A	Drain Plug w/O-Ring (Requires 2)	U178-920P
26-0144		Drain Plug O-Ring (O-039)	U9-359
	15B	Mounting Screw, 5/16" #14x5/8"	U30-199SS
SP3-4015	16	Mounting Base - Plastic	C4-77P
		Mounting Base - Metal (LX Suffix)	17303-0113
	17	Motor Pad - for Plastic Base	C35-45
25-0553	18	Diffuser Screws (Requires 7)	U30-542SS
25-0557	19	Diffuser Lockwashers (Requires 7)	U43-21SS
	20	3/8" Flat Washers (Requires 6)	U43-62SS
	21	3/8" Lockwashers (Requires 6)	U43-12SS

Sierra Vista
 4711 S Highway 92
 1-800-559-9291 Phone
 520-458-9293 Fax



COMMERCIAL POOL CARE DIVISION

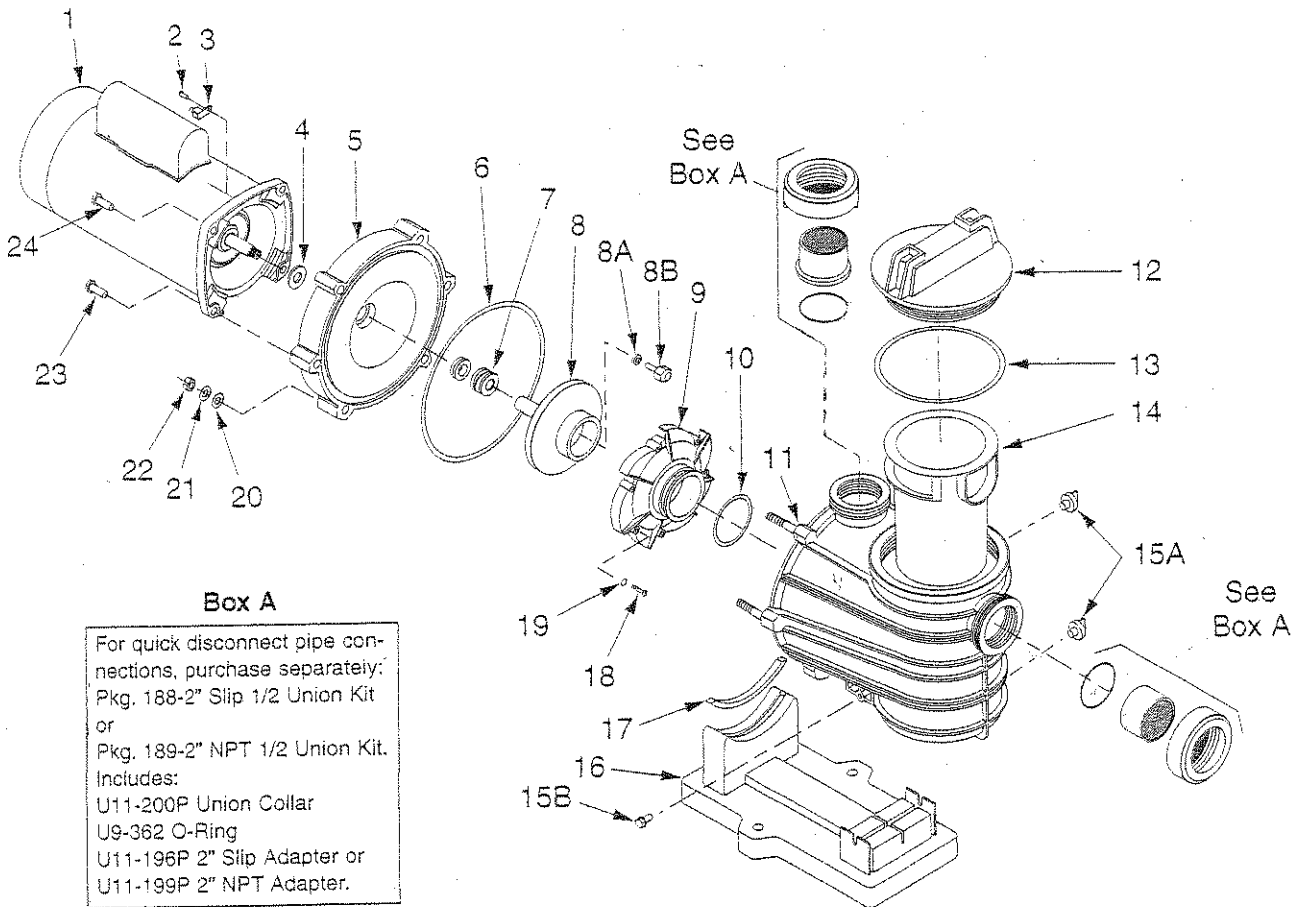
Northwest
 6320 N Oracle Rd
 520-797-2299 Phone
 520-797-9293 Fax

Central
 2512 N Campbell Ave
 520-795-8240 Phone
 520-327-1142 Fax

Main Office/Eastside
 7960 E 22nd St
 520-886-1211 Phone
 520-886-6364 Fax

Northeast
 9155 E Tanque Verde Rd
 520-749-9155 Phone
 520-760-0035 Fax

PATIO'S NUMBER	ITEM KEY	STA-RITE DYNA-GLASS & DYNA-MAX	MANUFACTURER NUMBER
24-0900 25-0420	22	Nut, 3/8" #16 Hex Head S/S (Requires 6)	U36-38SS
	23	Cap Screws, 3/8" #16x1-1/4" Hex Head S/S (Requires 2) Lockwasher 3/8" S/S (Requires 2)	U30-75SS U43-12SS
	24	Cap Screws, 3/8" #16x1" Hex Head S/S (Requires 4)	U30-74SS
	.	Nameplate	32155-4071
	.	Tag, "CAUTION: This pump equipped with mechanical shaft seal"	61002-0002
	.	Voltage Sticker	U27-153
	.	Decal, "Overtight Trap Lid..."	U27-644
	.	Tag, "WARNING/CAUTION" Instructions	C63-12
	.	Collar Union - See Box A	U11-200P
	.	Union Half Kit - 2" Slip (Package 188-2) See Box A	



Box A

For quick disconnect pipe connections, purchase separately:
 Pkg. 188-2" Slip 1/2 Union Kit
 or
 Pkg. 189-2" NPT 1/2 Union Kit.
 Includes:
 U11-200P Union Collar
 U9-362 O-Ring
 U11-196P 2" Slip Adapter or
 U11-199P 2" NPT Adapter.