

Sierra Vista  
4711 S Highway 92  
1-800-559-9291 Phone  
520-458-9293 Fax



COMMERCIAL POOL CARE DIVISION

Northwest  
6320 N Oracle Rd  
520-797-2299 Phone  
520-797-9293 Fax

Central  
2512 N Campbell Ave  
520-795-8240 Phone  
520-327-1142 Fax

Main Office/Eastside  
7960 E 22nd St  
520-886-1211 Phone  
520-886-6364 Fax

Northeast  
9155 E Tanque Verde Rd  
520-749-9155 Phone  
520-760-0035 Fax

PATIO'S NUMBER	ITEM KEY	STA-RITE DURAGLASS & MAX-E-GLASS PE-PEA MODELS P2RA - P2R5	MANUFACTURER NUMBER
	1	Motor, Square Flange (Must know Horsepower of old motor.)	
	2	#10-32x1/2" S/S Screw	U30-692SS
	3	Bonding Lug	U17-568
	4	Water Slinger	17351-0009
25-0357	5	Seal Plate Assembly Kit (Includes Plate, O-Ring, and Shaft Seal)	C203-193P
26-0240	6	Seal Plate	U9-228A
25-0392	7	Insert (All Models)	J3-2
25-1008	8	Shaft Seal, w/Insert	U109-93SS
25-0076		Shaft Seal, w/out Insert (PS-200)	17304-0100S
25-0377	9	Clamp	C119-37S
13-0505		Clamp Knob	WC36-22
	10	1/2 HP Impeller (P2RA)	C105-92PR
25-0198		1/2, 3/4 HP Impeller	C105-92PS
25-0199		3/4 HP Impeller	C105-138PEB
25-0175		1, 1/2 HP Impeller	C105-137PEB
		3/4, 1 HP Impeller (PEA, P2RA, & P2R5)	C105-138PEBA
		1, 1-1/2 HP Impeller (PEA, P2RA, & P2R5)	C105-137PEBA
		2, 2-1/2 HP Impeller (PE, PEA, & P2R5)	C105-PDA
25-0174		1-1/2, 2 hp Impeller	C105-137PDBA
		3 HP Impeller (PE Series Only)	C105-137PKBA
25-0553		1-1/2 thru 3 HP Impeller Screw (Left Hand Threads)	C30-12
	11	Difusser, 1/2HP (PEA, P2RA, & P2R5)	C1-217P
		Difusser, 3/4HP (PEA, P2RA)	C1-216P
25-0262		Difusser, 3/4 thru 2-1/2HP	C1-200PA
		Difusser, 3HP (PE & P2R5)	C1-259P
25-0215	12	#8-32x3/4" Capscrew	U30-542SS
	13	#8 Lock Washer	U43-21SS
26-0049	14	Difusser O-Ring	U9-226
25-0483	15	Tank Body	C176-47P1
25-0620	16	7/8" NPT Drain Plug w/O-Ring	U178-920P
	16A	O-ring (O-39)	U9-359
	17	Base w/Motor Pad	C104-42P
		Base w/Motor Pad (3 HP, PE Only)	C105-41P
	18	Motor Pad	C35-11
	19	3/8" Flat Washer	U43-42SS
	20	3/8"-16x1-3/4" Hex Head Bolt, (Requires 2)	U30-77SS
		3/8"-16x1-3/4" Soc Head Bolt, (Requires 2)	U30-778SS
	21	3/8"-16x1" Hex Head Bolt, (Requires 2)	U30-74SS
		3/8"-16x1"Soc Head Bolt, (Requires 2)	U30-99SS
25-0538		Strainer Pot Body	C153-53PI

Sierra Vista  
4711 S Highway 92  
1-800-559-9291 Phone  
520-458-9293 Fax



COMMERCIAL POOL CARE DIVISION

Northwest  
6320 N Oracle Rd  
520-797-2299 Phone  
520-797-9293 Fax

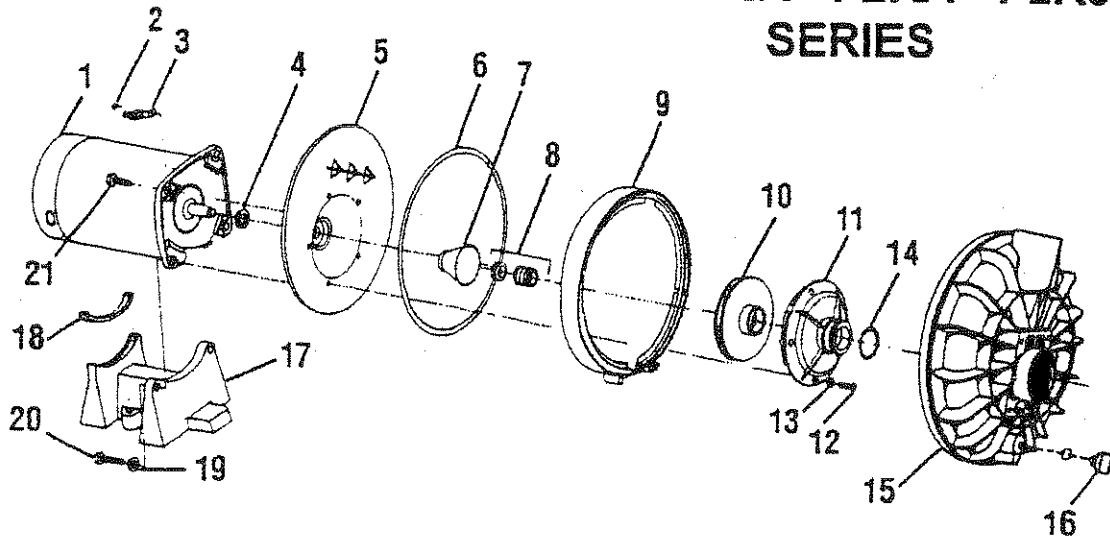
Central  
2512 N Campbell Ave  
520-795-8240 Phone  
520-327-1142 Fax

Main Office/Eastside  
7960 E 22nd St  
520-886-1211 Phone  
520-886-6364 Fax

Northeast  
9155 E Tanque Verde Rd  
520-749-9155 Phone  
520-760-0035 Fax

STA-RITE DURAGLASS & MAX-E-GLASS PE-PEA  
MODELS P2RA & P2R5 PUMP ASSEMBLY

PE • PEA • P2RA • P2R5  
SERIES



Sierra Vista  
 4711 S Highway 92  
 1-800-559-9291 Phone  
 520-458-9293 Fax



COMMERCIAL POOL CARE DIVISION

Northwest  
 6320 N Oracle Rd  
 520-797-2299 Phone  
 520-797-9293 Fax

Central  
 2512 N Campbell Ave  
 520-795-8240 Phone  
 520-327-1142 Fax

Main Office/Eastside  
 7960 E 22nd St  
 520-886-1211 Phone  
 520-886-6364 Fax

Northeast  
 9155 E Tanque Verde Rd  
 520-749-9155 Phone  
 520-760-0035 Fax

PATIO'S NUMBER	ITEM KEY	STA-RITE DURAGLASS & MAX-E-GLASS PE-PEA MODELS P2RA & P2R5 TRAP ASSEMBLY	MANUFACTURER NUMBER
----------------	----------	--	---------------------

- |         |   |                                  |           |
|---------|---|----------------------------------|-----------|
| 25-0393 | 1 | Trap Cover                       | C3-139P1  |
| 25-0391 |   | Trap Cover (Biguanide Resistant) | C3-139P3  |
| 26-0218 | 2 | Trap Cover O-Ring                | O-218     |
| 07-0106 | 3 | Strainer Basket                  | C108-33P  |
| 25-0538 | 4 | Trap Body                        | C153-53P  |
| 30-0018 | 5 | Trap / Volute Gasket (G-018R)    | C20-123   |
| 25-0620 | 6 | Trap Plug w/O-Ring               | U178-920P |
|         | 7 | Bolt, 5/16" - 18 x 1-1/4", SS    | U30-64SS  |
|         | 8 | Washer, 5/16" Lock SS            | U43-11SS  |
|         | 9 | Washer, 5/16" Flat SS            | U43-41SS  |

